

For the benefit and convenience of its customers, Fluke Corporation (Fluke) has reproduced this copy of a manual which is no longer in production. This manual has not been edited or updated since the revision date shown on the lower left hand corner of the first page. Fluke will not be liable for any claims, losses or damages of any kind incurred by any user arising from use of this manual.

NOTE

This manual documents the Model 8022B and its assemblies at the revision levels shown in Appendix A. If your instrument contains assemblies with different revision letters, it will be necessary for you to either update or backdate this manual. Refer to the supplemental change/errata sheet for newer assemblies, or the backdating sheet in Appendix A for older assemblies.

8022B

Digital Multimeter

Instruction Manual

P/N 616045

July 1981

Rev. 1 7/82

©1981, John Fluke Mfg. Co., Inc.,
all rights reserved Litho in U.S.A.



Dear Customer:

Congratulations! We at Fluke are proud to present you with the Model 8022B Multimeter. This instrument represents the very latest in integrated circuit and display technology. As a result, the end product is a rugged and reliable instrument whose performance and design exhibit the qualities of a finely engineered lab instrument.

To fully appreciate and protect your investment, we suggest you take a few moments to read the manual. As always, Fluke stands behind your 8022B with a full 2 year warranty and a worldwide service organization. If the need arises, please don't hesitate to call on us.

Thank you for your trust and confidence.

John Fluke Mfg. Co., Inc.

Table of Contents

SECTION	TITLE	PAGE
1	INTRODUCTION AND SPECIFICATIONS	1-1
	1-1. INTRODUCTION	1-1
	1-3. ACCESSORIES	1-2
	1-5. SPECIFICATIONS	1-2
2	OPERATING INSTRUCTIONS	2-1
	2-1. INTRODUCTION	2-1
	2-3. PREPARING FOR OPERATION	2-1
	2-4. Unpacking	2-1
	2-7. Battery and/or Fuse Installation/Replacement	2-1
	2-9. PHYSICAL FEATURES	2-2
	2-11. OPERATING NOTES	2-2
	2-13. Input Overload Protection	2-6
	2-15. Input Connections to COMMON	2-6
	2-17. Fuse Check	2-6
	2-19. Fuse Replacement	2-7
	2-21. The Display	2-7
	2-25. OPERATION	2-8
	2-27. INITIAL CHECK-OUT PROCEDURE	2-14
	2-29. MEASUREMENT TECHNIQUES	2-15
	2-31. AC Measurement	2-15
	2-33. Voltage AC/DC	2-15
	2-36. Current AC/DC	2-15
	2-40. Resistance	2-18
3	THEORY OF OPERATION	3-1
	3-1. INTRODUCTION	3-1
	3-3. OVERALL FUNCTIONAL DESCRIPTION	3-1
	3-8. BLOCK DIAGRAM ANALYSIS	3-1
	3-9. A/D Converter	3-1
	3-18. Input Signal Conditioners	3-6

TABLE OF CONTENTS, *continued*

SECTION	TITLE	PAGE
4	MAINTENANCE	4-1
	4-1. INTRODUCTION	4-1
	4-3. SERVICE INFORMATION	4-1
	4-7. GENERAL INFORMATION	4-1
	4-8. Access Information	4-1
	4-17. Cleaning	4-5
	4-19. Battery/Backup Fuse Replacement	4-5
	4-21. PERFORMANCE TEST	4-6
	4-23. Initial Procedure	4-6
	4-25. Display Test	4-6
	4-27. Resistance Test	4-6
	4-29. DC Voltage Test	4-7
	4-31. AC Voltage Test	4-7
	4-33. DC Current Test	4-8
	4-35. CALIBRATION	4-9
	4-38. TROUBLESHOOTING	4-10
5	LIST OF REPLACEABLE PARTS	5-1
	5-1. INTRODUCTION	5-1
	5-4. HOW TO OBTAIN PARTS	5-1
6	OPTIONS AND ACCESSORIES	6-1
	6-1. INTRODUCTION	6-1
	6-3. DELUXE CARRYING CASE (C-90)	6-1
	6-5. TEMPERATURE PROBE (80T-150C and 80T-150F)	6-1
	6-6. Introduction	6-1
	6-8. Specifications	6-1
	6-9. CURRENT TRANSFORMER (801-600)	6-4
	6-10. Introduction	6-4
	6-12. Specifications	6-4
	6-13. HIGH VOLTAGE PROBE (80K-6)	6-4
	6-14. Introduction	6-4
	6-16. Specifications	6-4
	6-17. HIGH VOLTAGE PROBE (80K-40)	6-4
	6-18. Introduction	6-4
	6-20. Specifications	6-4
	6-21. HIGH FREQUENCY PROBE (83RF)	6-5
	6-22. Introduction	6-5
	6-24. Specifications	6-5
	6-25. HIGH FREQUENCY PROBE (85RF)	6-5
	6-26. Introduction	6-5
	6-28. Specifications	6-5
	6-29. BATTERY ELIMINATOR (A81)	6-6
	6-31. CURRENT SHUNT (80J-10)	6-6
	6-32. Introduction	6-6
	6-34. Specifications	6-7

TABLE OF CONTENTS, continued

SECTION	TITLE	PAGE
6-35.	AC/DC CURRENT PROBE (Y8100)	6-7
6-36.	Introduction	6-7
6-38.	Specifications	6-7
6-39.	AC CURRENT TRANSFORMER (Y8101)	6-7
6-40.	Introduction	6-7
6-42.	Specifications	6-8
6-43.	SAFETY DESIGNED TEST LEAD SET (Y8132)	6-8
6-45.	DELUXE TEST LEAD SET (Y8134)	6-8
6-47.	SLIM FLEX TEST LEAD SET (Y8140)	6-8
7	SCHEMATIC DIAGRAMS	7-1
	APPENDIX A	A-1

List of Tables

TABLE	TITLE	PAGE
1-1.	8022B Accessories	1-2
1-2.	8022B Specifications	1-2
2-1.	Controls, Indicators and Connectors	2-4
2-2.	Model 8022B Overload Limits	2-7
2-3.	Voltage/Current Capability of Resistance Ranges	2-20
4-1.	List of Recommended Test Equipment	4-2
4-2.	Resistance Checks	4-7
4-3.	DC Voltage Checks	4-8
4-4.	AC Voltage Test	4-8
4-5.	DC Current (mA) Checks	4-9
4-6.	Troubleshooting Guide	4-10
5-1.	8022B Final Assembly	5-3
5-2.	A1 Main PCB Assembly	5-6
5-3.	A2 Case Assembly	5-9
5-6.	Federal Supply Codes for Manufacturers	5-10
6-1.	A81 Model vs Input Power	6-6

List of Illustrations

FIGURE	TITLE	PAGE
2-1.	Removing the Battery Cover	2-3
2-2.	Battery Removal	2-3
2-3.	Controls, Indicators and Connectors	2-4
2-4.	DC Volts (DC V) Operation	2-9
2-5.	AC Volts (AC V) Operation	2-10
2-5.	Direct Current (DC mA) Operation	2-11
2-7.	Alternating Current (AC mA) Operation	2-12
2-8.	Resistance (Ω) Operation	2-13
2-9.	Waveform Conversion	2-16
2-10.	Voltage Measurement Error Calculations (Loading Error)	2-17
2-11.	Current Measurement Error Calculations	2-19
3-1.	Model 8022B Simplified Block Diagram	3-2
3-2.	Dual Slope A/D Converter	3-4
3-3.	Input Signal Conditioners	3-7
4-1.	Calibration Adjustment Locations	4-3
4-2.	LCD Display Assembly	4-4
5-1.	8022B Final Assembly	5-5
5-2.	AI Main PCB Assembly	5-9
6-1.	Model 8022B Accessories	6-2

Section 1

Introduction and Specifications

1-1. INTRODUCTION

1-2. Your John Fluke Model 8022B is a pocket-size digital multimeter that is ideally suited for application in the field, lab, shop or home. Your 8022B offers all standard VOM measurement functions: AC and DC volts, Alternating and Direct Current, and Resistance. Some of the features of your instrument are:

- A high contrast 3 1/2 digit liquid crystal display, that can be easily read from across the room. No more worries about bent needles, parallax, etc.
- Each range has:
 - Full auto-polarity operation
 - Overrange indication
 - Effective protection from overloads and transients
- Dual slope integration measurement technique to ensure fast, accurate, noise-free measurements.
- Long term calibration stability - 2 years. Easy calibration - few adjustments.
- Lightweight - 369 grams (13 ounces).
- Up to 200 hours of continuous operation can be expected from a single, inexpensive, 9V, alkaline battery (transistor radio/calculator type).
- Low battery voltage automatically detected and displayed.
- Line operation is possible using a Model A81 Battery Eliminator (see Section 6, Accessories).
- Protected test leads - offer less change of measured signal exposure at the DMM input terminals than standard banana test lead tips.
- A full line of accessories that extend the range and scope of your instrument.

8022B

1-3. ACCESSORIES

1-4. Table 1-1 lists the accessories available for use with the Model 8022B. Detailed information about each accessory is provided in Section 6.

1-5. SPECIFICATIONS

1-6. Table 1-2 lists the 8022B specifications. These specifications assume a 2 year calibration cycle and an operating temperature of 18°C to 28°C (64°F to 82°F) at a relative humidity of up to 90% unless otherwise noted.

Table 1-1. 8022B Accessories

ACCESSORY	DESCRIPTION
A81	Battery Eliminator
C-90	Vinyl Carrying Case
80T-150C	Temperature Probe °C
80T-150F	Temperature Probe °F
80I-600	Current Transformer 2" jaws
80K-6	High Voltage Probe
80K-40	High Voltage Probe
80J-10	Current Shunt
83RF	High Frequency Probe
85RF	High Frequency Prbe
Y8100	AC/DC Current Probe
Y8101	Current Transformer 7/16" jaws
Y8132	Safety Designed Test Lead Set
Y8134	Deluxe Test Lead Set
Y8140	Slim Flex Test Lead Set

Table 1-2. 8022B Specifications

The following specifications assume a 2-year calibration cycle and an operating temperature of 18°C to 28°C (64°F to 82°F) at a relative humidity up to 90%, unless otherwise noted.

FUNCTIONS DC Volts, AC Volts, DC Current, Resistance

DC VOLTS

RANGE	RESOLUTION	ACCURACY FOR 2 YEARS
±200 mV	100 μV	±(.25% of reading + 1 digit)
±2V	1 mV	
±20V	10 mV	
±200V	100 mV	
±1000V	1V	

Table 1-2. 8022B Specifications (cont)

Overvoltage Protection 1000V dc or peak ac on all ranges.
Input Impedance 10 M Ω , all ranges.
Normal Mode Rejection Ratio >60 dB at 50 Hz and 60 Hz.
Common Mode Rejection Ratio (1 k Ω unbalance) >100 dB at dc, 50 Hz and 60 Hz.

AC VOLTS

RANGE	RESOLUTION	ACCURACY 45 Hz to 450 Hz
200 mV	100 μ V	\pm (1% of reading +3 digits)
2V	1 mV	
20V	10 mV	
200V	0.1V	
750V	1V	

Overload Protection 750V rms or 1000V peak continuous, except 200 mV ac ranges (15 seconds maximum above 300V rms ac).

Common Mode Noise Rejection

Ratio (1 k Ω unbalance) >60 dB at 50 Hz and 60 Hz.
Volt-Hz Product 10⁷ max (200V @ 50 kHz).
Input Impedance 10 M Ω in parallel with <100 pf.

DC CURRENT

RANGE	RESOLUTION	ACCURACY FOR 2 YEARS	BURDEN VOLTAGE
2 mA	1 μ A	\pm (.75% of reading +1 digit)	0.3V rms max
20 mA	10 μ A		
200 mA	100 μ A		
2000 mA	1 mA		0.9V rms max

Overload Protection 2A/250V fuse, in series with a 3A/600V fuse.

RESISTANCE

RANGE	RESOLUTION	ACCURACY FOR 2 YEARS	FULL-SCALE VOLTAGE	MAXIMUM TEST CURRENT
200 Ω	0.1 Ω	\pm (0.3% of reading +3 digits)	<0.25V	.35 mA
2 k Ω	1 Ω		>1.0V	1.1 mA
20 k Ω	10 Ω	\pm (0.2% of reading +1 digit)	<0.25V	13 μ A
200 k Ω	100 Ω		>0.7V	13 μ A
2000 k Ω	1 k Ω	\pm (2% of reading +1 digit)	<0.25V	0.13 μ A
20 M Ω	10 k Ω		>.7V	0.13 μ A

Table 1-2. 8022B Specifications (cont)

- Overload Protection** 500V dc/ac rms on all ranges. 15 seconds maximum above 300 volts.
- Open Circuit Voltage** Less than 1.5V on all ranges except 2 k Ω range is less than 3.5V.
- Diode Test** 2 k Ω , 200 k Ω , and 20 M Ω ranges supply enough voltage to turn on junctions allowing a "Diode Test". 200 Ω , 20 k Ω , and 2000 k Ω ranges can make in-circuit measurements without turning on silicon junctions.

AC CURRENT

RANGE	RESOLUTION	ACCURACY FOR 2 YEARS	BURDEN VOLTAGE	
		45 Hz TO 450 Hz		
2 mA	1 μ A	\pm 3% of reading +3 digits	0.3V rms max.	
20 mA	10 μ A			
200 mA	100 μ A		\pm 2% of reading +2 digits	0.9V rms max.
2000 mA	1 mA			

- Overload Protection** 2A/250V fuse, in series with a 3A/600V fuse.

ENVIRONMENTAL

- Temperature** 0°C to 50°C (32°F to 122°F) operating. -35°C to +60°C (-31°F to 140°F) storage.
- Relative Humidity** 0 to 80%, 0°C to 35°C (32-95°F) on 2 M Ω and 20 M Ω ranges. 0-90%, 0°-35° (32°-95°F) on all other ranges. 0 to 70%, 35°C to 50°C (95-122°F)
- Temperature Coefficient** <0.1 times the applicable accuracy specification per °C for 0°C to 18°C and 28°C to 50°C (32°F to 64.4°F and 82.4°F to 122°F).

GENERAL

- Protection Class 2** Relates solely to insulation or grounding properties defined in IEC 348.
- Maximum Common Mode Voltage** 500V dc/rms ac.
- BATTERY LIFE**
 - Alkaline Single 9V battery, NEDA 1604.
 - Zinc Carbon 200 hours typical.
 - 100 hours typical.
- BATTERY INDICATOR** "BT" on display illuminates when approximately 20% of battery life remains.
- Display** 3½ digit LCD (2,000 count), autozero, autopolarity.
- Size** L x W x H: 18.0 cm x 8.6 cm x 4.5 cm (7.1 in x 3.4 in x 1.8 in)
- Weight** 0.37 kg. (13 oz)

Section 2

Operating Instructions

2-1. INTRODUCTION

2-2. To fully utilize the measurement capabilities of your 8022B a basic understanding of its measurement techniques and limitations is required. This section of the manual provides that information. For additional application or operation literature, write or call the John Fluke Mfg. Co., Inc.; telephone (206) 342-6300.

2-3. PREPARING FOR OPERATION

2-4. Unpacking

2-5. Your 8022B was packed and shipped in an especially designed protective container. This manual, the multimeter, one 9V battery, and two test leads (one red and one black) should be packed in the shipping container. Check your shipment thoroughly. If anything is wrong with your shipment, or if your instrument was damaged during shipping, contact the place of purchase immediately. If satisfaction is not obtained, contact the nearest John Fluke Service Center. A list of these service centers is located at the end of this manual.

2-6. If reshipment is necessary, please use the original shipping container. If the original container is not available, a new one can be obtained from the John Fluke Mfg. Co., Inc. Please state the instrument model number when requesting a new shipping container.

2-7. Battery and/or Fuse Installation/Replacement

2-8. Your 8022B is designed to operate on a single, inexpensive, 9V battery of the transistor radio/calculator variety (NEDA 1604). When you receive your 8022B, the battery will not be installed in the DMM. Once the battery is installed, you can expect a typical operating life of up to 200 hours with an alkaline battery or 100 hours with a carbon-zinc battery. When the battery has exhausted about 80% of its useful life, the BT indicator will appear in the upper left corner of the display. Your 8022B will operate properly for at least 20 hours after BT appears. Use the following procedure to install or replace the battery or Fuse F1.

CAUTION

To ensure operation within the accuracy specifications, the battery should be replaced when the voltage measured at the center of the battery eliminator connector falls below -3.00 volts (with respect to the COMMON input). If the

battery voltage falls to a point where the "BT" is displayed and the digital display is inactive or no longer responds to a signal input, the battery should be replaced immediately to prevent damage to the LCD.

WARNING

TO AVOID ELECTRICAL SHOCK HAZARDS REMOVE THE INPUT SIGNAL AND TEST LEADS FROM THE INPUT TERMINALS, AND SET THE POWER SWITCH TO OFF BEFORE OPENING THE BATTERY COMPARTMENT.

1. Set the 8022B power switch to OFF.
2. Remove the test leads from external circuit connections and from the 8022B input terminals.
3. Open the battery compartment on the bottom of the 8022B using the method shown in Figure 2-1.
4. Tilt the battery out as shown in Figure 2-2.
5. If fuse F1 is to be replaced, use a pointed tool such as a probe tip or small screwdriver to pry F1 from its holder. Replace the defective fuse with fuse type AGX2. (Instruments that accommodate metric fuses use type F)
6. Disconnect the battery clip from the battery terminals.
7. Press the battery clip onto the replacement battery and return both to the battery compartment.
8. Make sure the battery leads are routed by the broad side of the battery and fully within the confines of the battery compartment before sliding the cover into place.

WARNING

DO NOT OPERATE THE 8022B UNTIL THE BATTERY COVER IS IN PLACE AND FULLY CLOSED.

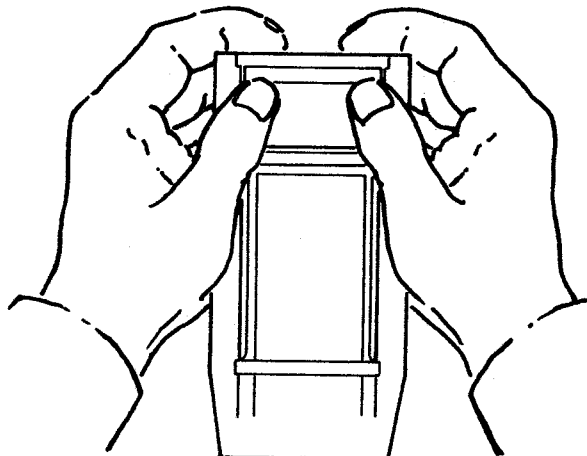
2-9. PHYSICAL FEATURES

2-10. Before using your 8022B we suggest that you take a few minutes to get acquainted with your instrument. All of the externally accessible physical features of 8022B are shown in Figure 2-3 and described in Table 2-1. Locate each feature on your 8022B as you read the description.

2-11. OPERATING NOTES

2-12. The following paragraphs will familiarize you with the capabilities and limitations of your Model 8022B and instruct you in routine operator maintenance.

USE THUMBS TO PUSH BATTERY COVER
DOWN AND THEN OUT FROM INSTRUMENT
CASE.



BACK SIDE OF 8022B

Figure 2-1. Removing Battery Cover

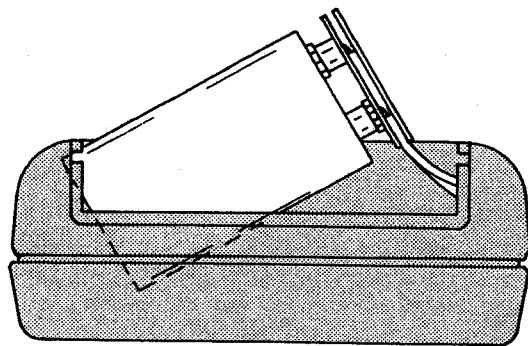


Figure 2-2. Battery Removal

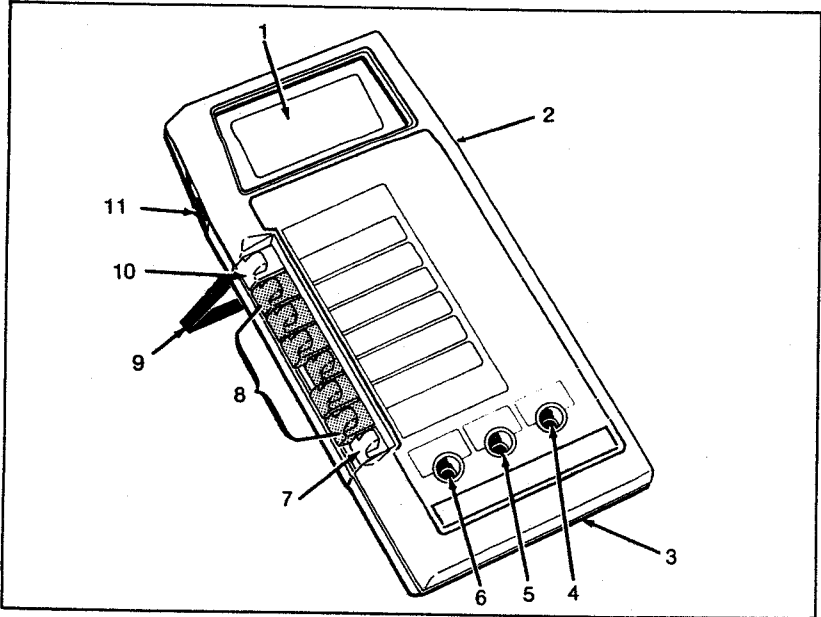


Figure 2-3. Controls, Indicators and Connectors

Table 2-1. Controls, Indicators, and Connectors

ITEM NO.	NAME	FUNCTION
1	Display	A 3 1/2 digit display (1999 max) with decimal point and minus polarity indication. Used to indicate measured input values, overrange condition and low battery condition.
2	Battery Eliminator Connector	An external input power connector for use with the Model A81 Battery Eliminator accessory. (A81 is available in a variety of voltage and plug configurations. See Section 6.)
3	Battery Compartment and Cover	Cover for the 9V battery and the current-protection fuses. Refer to figure 2-1 for battery cover removal instructions.
4	V/Ω Input Connector	Protected test lead connector used as the high input for all voltage and resistance measurements. This

Table 2-1. Controls, Indicators and Connectors (cont)

ITEM NO.	NAME	FUNCTION
4	(cont)	connector will accept standard banana plugs.
5	COMMON Input Connector	Protected test lead connector used as the low or common input for all measurements. This connector will accept standard banana plugs.
6	mA Input Connector	Protected test lead connector used as the high input for all current measurements. This connector will accept standard banana plugs.
7	mA/V- Ω Switch	A push-push switch (push on - push off, do not pull to select function) which operates in conjunction with the high input connectors to select either the mA/V or Ω measurement functions. When in or depressed it selects Ω . The out position selects mA or V depending upon the location of the high input lead.
8	Range Switches	Interlocked push-button switches for selecting ranges, i.e., pressing the desired range switch selects that range and cancels previous switch depressions. Do not pull switches to select a range. Voltage: 200 mV, 2V, 20V, 200V, 1000V dc/750V ac Current: 2 mA, 20 mA, 200 mA, 2000 mA Resistance: 200 Ω , 2 k Ω , 20 k Ω , 200 k Ω , 2000 k Ω , 20 M Ω
9	Tilt Bail	A removable fold-out stand which allows the instrument to be either tilted for bench-top applications or hung from a hook in the absence of a work surface.
10	DC/AC Switch	A push-push switch (push on - push off, do not pull to select function) used to select the ac or dc measurement function when measuring current or voltage. When in, or depressed, the ac function is selected. Out selects dc.

Table 2-1. Controls, Indicators and Connectors (cont)

ITEM NO.	NAME	FUNCTION
10	(cont)	Switch may be in either position when making resistance measurements.
11	Power Switch	A slide switch used to turn the instrument off and on.

2-13. Input Overload Protection**CAUTION**

Exceeding the maximum input overload limits can damage your instrument. A transient overload protection circuit is designed into the 8022B to protect it against short duration high energy pulses. The components used limit the protection to approximately five pulses per second for 6 KV, 10 microsecond pulses, and about 0.6 watts average for lower amplitude pulses. Fast repetition rate pulses such as those from a TV set can damage the protection components; RJ1 - RJ4, R1 and R2. If any of these components require replacement, use only Fluke parts to ensure product safety. R2 is a fusible resistor. Use exact replacement to ensure safety.

2-14. Each measurement function and its associated ranges are equipped with input overload protection. The overload limits for each function and range are given in Table 2-2.

2-15. Input Connections to COMMON**WARNING**

TO AVOID ELECTRICAL SHOCK AND /OR INSTRUMENT DAMAGE DO NOT CONNECT THE COMMON INPUT TERMINAL TO ANY SOURCE OF MORE THAN 500 VOLTS DC OR RMS AC ABOVE EARTH GROUND.

2-16. The 8022B may be operated with the COMMON input terminal at a potential of up to 500V dc or 500V rms ac above earth ground. If this limit is exceeded, instrument damage may occur. This, in turn, may result in a safety hazard for the operator.

2-17. Fuse Check

2-18. The current (mA) function contains two fuses. Check them as follows:

1. Complete the set up steps for the RESISTANCE (Ω) function and select the 2 k Ω range.
2. Touch the red test probe to the mA input jack so that the V- Ω input and mA input are connected together.

Table 2-2. Model 8022B Overload Limits

SELECTED FUNCTION	SELECTED RANGE	INPUT CONNECTIONS	MAX INPUT OVERLOAD
Voltage	200 mV, 2V, 2V, 200V, 750V ac, 1000V dc	V/ Ω and COMMON	1000V dc or peak ac on dc ranges. 1000V dc or 750V rms on ac ranges - 15 seconds max above 300V on 200 mV ac range.
Current	2 mA, 20 mA, 200 mA, 2000 mA	mA and COMMON	2A max. Fuse protected in circuits with open voltage \leq 600V dc/rms ac. Do not use above 600V dc or rms ac.
Resistance or Continuity	200 Ω , 2 k Ω , 20 k Ω , 200 k Ω , 20 M Ω	V/ Ω and COMMON	500V dc or rms ac. 15 seconds max above 300V.
ANY	ANY	COMMON	500V dc/rms ac with respect to earth ground.

3. If the display reads approximately .100 k Ω , both fuses are good.
4. If the display reads overrange 1 followed by blank digits, one or both fuses need replacement. See the following paragraphs for replacement instructions.

2-19. Fuse Replacement

2-20. All ac and dc current ranges are fuse protected. Two series fuses are used:

1. F1, 2A/250V, replaceable at the battery compartment (See section 2, Battery and/or Fuse Installation/Replacement.)
2. F2, 3A/600V backup fuse (See section 4, Battery/Backup Fuse Replacement.)

2-21. The Display

2-22. The Front Panel Display on your 8022B is a 3-1/2 digit Liquid Crystal Display. The 1/2 digit is the extreme left digit location. So, the displayed value can range from 000 through 1999. For convenience, in discussion, the 1999 is rounded to 2000. The decimal point position is determined by selected range and is not affected by the measurement function selected. Polarity, on the other hand is only used for the dc voltage and current measurement functions. A minus sign indicates that the input signal is negative with respect to the COMMON input terminal. Positive inputs are indicated by the absence of the minus sign.

NOTE

The minus sign (-) may flash momentarily as the 8022B comes out of an overrange condition. This will most likely be seen in the ohms mode as the open circuit test leads are applied to an in-range resistance value. If the minus sign remains on for in-range ohms readings, the circuit is live (a negative voltage is present at the input terminals due to charged capacitors, etc.), and incorrect resistance readings will be observed.

2-23. The Display has two abnormal status indicators, one for low battery power and one for instrument overrange. A BT is displayed when approximately 80% of the battery's life is exhausted (battery replacement is indicated). And, a "1" followed by three blanked digits is displayed (decimal point may be present) as an overrange indication. This does not necessarily mean that the instrument is being exposed to a damaging input condition. For example, when measuring resistance an open-input will cause an overrange indication.

NOTE

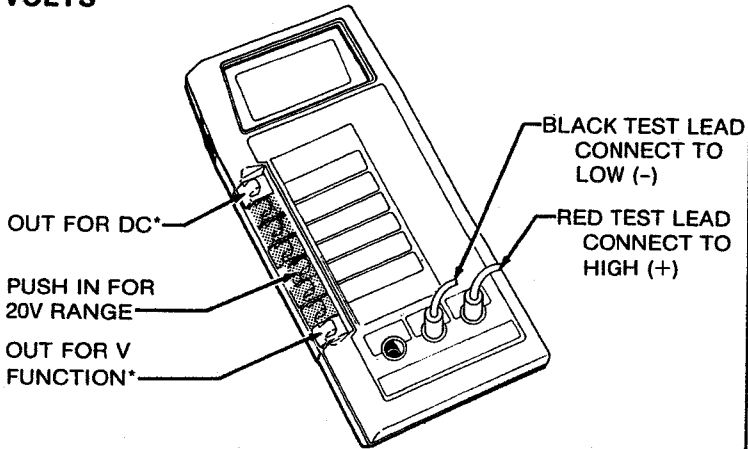
When the 8022B is powered with the A81 battery eliminator the "BT" indicator may come on. However, instrument operation will remain normal.

2-24. The liquid crystal display used in the 8022B is a rugged and reliable unit which will give years of satisfactory service. Display life can be extended by observing the following practices:

1. Protect the display from extended exposure to bright sunlight.
2. Keep the voltmeter out of high temperature, high humidity environments, such as, the dash of a car on a hot, sunny day. Otherwise, the display may temporarily turn black. Recovery occurs at normal operating temperature.
3. Note that the display operation may be slowed in extremely low temperature environments. No damage will occur to the LCD, but response time is greatly increased. Recovery occurs at normal operating temperature.

2-25. OPERATION

2-26. The five figures, 2-4 through 2-8, each illustrate one of the five measurement functions of the Model 8022B. Each figure has two parts. The top part shows your 8022B as it should look when ready to perform that type of measurement. The bottom part of the figure lists, in sequential order, the steps you should perform to make that type of measurement with your 8022B. To operate your 8022B turn to the operation figure corresponding to the measurement function desired and perform the steps listed in the figure. Operate the Model 8022B in accordance with the Input Overload Protection and the Input Connections to COMMON portions of the Operating Notes presented earlier in this section.

DC VOLTS

**NOTE: Both of the function switches are push-push type switches. Do not try to pull these switches to the out position.*

- Plug the Red Test Lead into the V-Ω terminal
- Plug the Black Test Lead into the COMMON terminal
- Push, to the in position, the range switch corresponding to the desired range of measurement. The 20V range is shown selected.
- Insure that all other pushbuttons are at the out position.

WARNING

TO AVOID ELECTRICAL SHOCK AND/OR INSTRUMENT DAMAGE, DO NOT CONNECT THE 8022B TERMINALS TO SOURCES THAT EXCEED THE FOLLOWING LIMITS WHEN MEASURING DC VOLTAGE:

COMMON: 500V DC/AC RMS WITH RESPECT TO EARTH GROUND.

V-Ω: 1000V DC OR 750V AC RMS WITH RESPECT TO THE COMMON TERMINAL.

- Connect the Test Leads to the circuit being measured.
- Read the measured value in the Display.

Figure 2-4. DC Volts (DC V) Operation

AC VOLTS

The diagram shows a multimeter with several controls and terminals. On the left side, there are three push-in switches. The top one is labeled 'PUSH IN FOR AC', the middle one 'PUSH IN FOR 20V RANGE', and the bottom one 'OUT FOR V FUNCTION'. On the right side, there are two terminals for test leads. The top terminal is labeled 'BLACK TEST LEAD CONNECT TO LOW (-)' and the bottom terminal is labeled 'RED TEST LEAD CONNECT TO HIGH (+)'. The multimeter's display and other controls are visible on the top and front panels.

***NOTE:** Both of the function switches are push-push type switches. Do not try to pull these switches to the out position.

- Plug the Red Test Lead into the V-Ω terminal.
- Plug the Black Test Lead into the COMMON terminal.
- Push the AC-DC pushbutton to the in position.
- Push, to the in position, the range switch corresponding to the desired range of measurement. The 20V range is shown selected.
- Insure that all other pushbuttons are at the out position.

WARNING

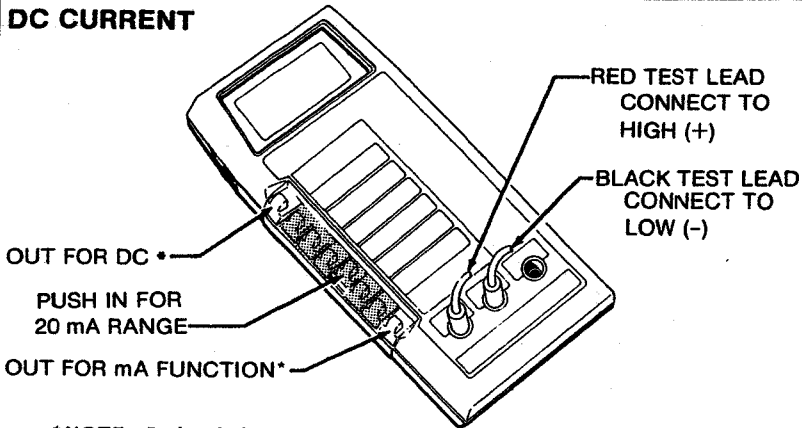
TO AVOID ELECTRICAL SHOCK AND/OR INSTRUMENT DAMAGE, DO NOT CONNECT THE 8022B TERMINALS TO SOURCES THAT EXCEED THE FOLLOWING LIMITS WHEN MEASURING AC VOLTAGE:

COMMON: 500V DC/AC RMS WITH RESPECT TO EARTH GROUND.

V-Ω: 1000V DC OR 750V AC RMS WITH RESPECT TO THE COMMON TERMINAL (IN THE AC FUNCTION, 200 mV RANGE, SOURCES GREATER THAN 300V AC RMS SHOULD NOT BE CONNECTED LONGER THAN 15 SECONDS).

- Connect the Test Leads to the circuit being measured.
- Read the measured value in the Display.

Figure 2-5. AC Volts (AC V) Operation

DC CURRENT

**NOTE: Both of the function switches are push-push type switches. Do not try to pull these switches to the out position.*

- Plug the Red Test Lead into the mA terminal.
- Plug the Black Test Lead into the COMMON terminal.
- Push, to the in position, the range switch corresponding to the desired range of measurement. The 20 mA range is shown selected.
- Insure that all other pushbuttons are at the out position.

WARNING

TO AVOID ELECTRICAL SHOCK AND/OR INSTRUMENT DAMAGE, DO NOT CONNECT THE 8022B TERMINALS TO SOURCES THAT EXCEED THE FOLLOWING LIMITS WHEN MEASURING DC CURRENT:

COMMON: 500V DC OR AC RMS WITH RESPECT TO EARTH GROUND.

mA: CURRENT OF 2 AMPS OR OPEN CIRCUIT VOLTAGE OF 600V DC/AC RMS.

DO NOT ATTEMPT CURRENT MEASUREMENT WHERE THE POTENTIAL IS ABOVE 600V DC OR AC RMS.

- Connect the Test Leads to the circuit being measured.
- Read the measured value in the Display.
- If unit fails to read properly, see FUSE CHECK instructions located earlier in this section.

Figure 2-6. Direct Current (DC mA) Operation

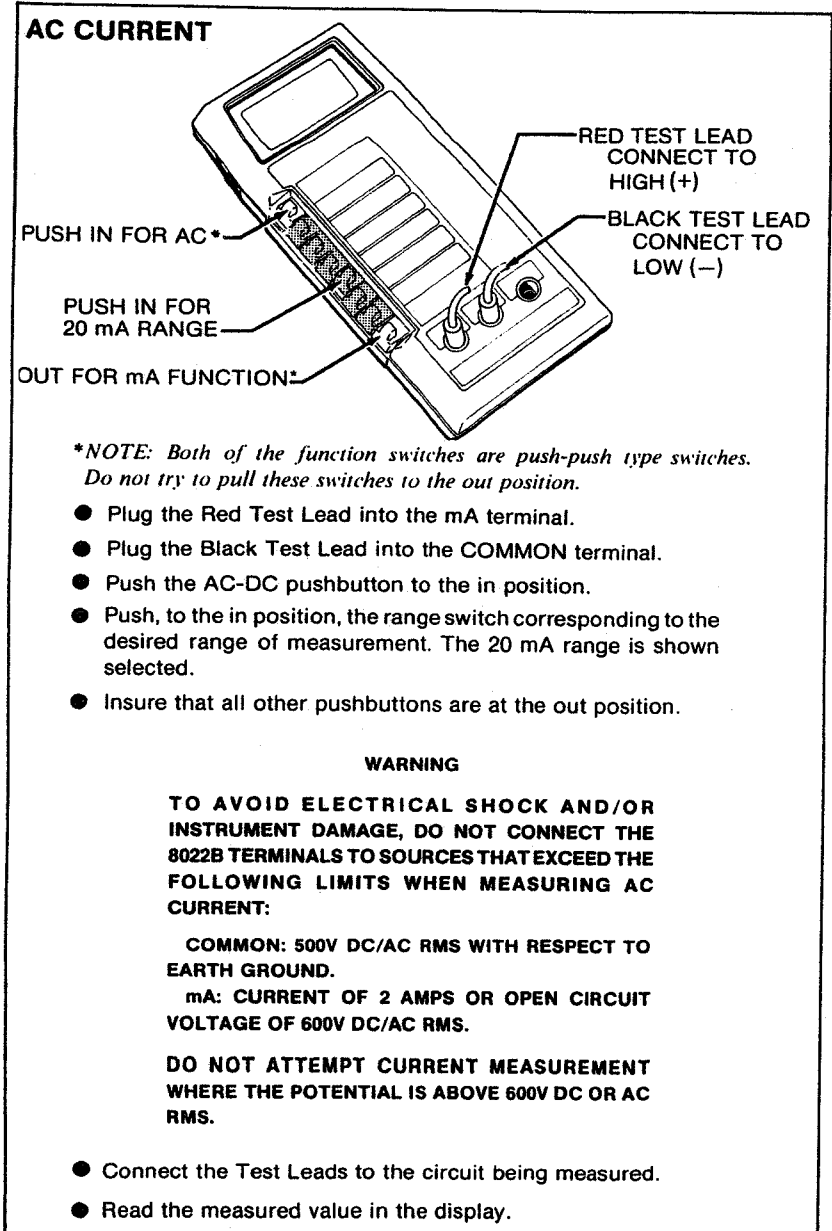
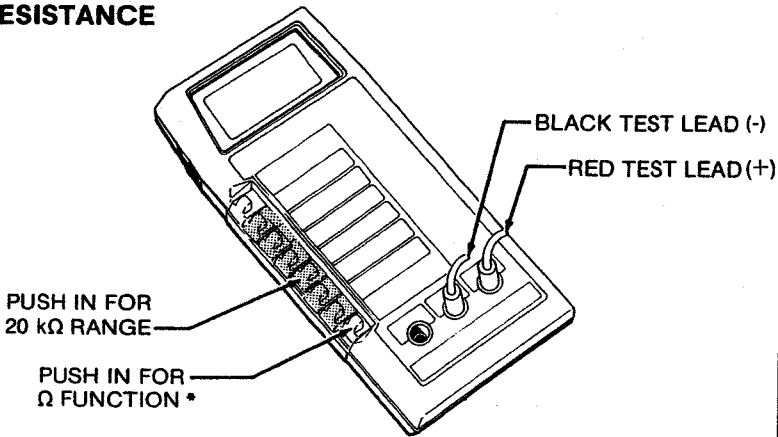


Figure 2-7. Alternating Current (AC mA) Operation

RESISTANCE

**NOTE: Both of the function switches are push-push type switches. Do not try to pull these switches to the out position.*

- Plug the Red Test Lead into the V-Ω terminal.
- Plug the Black Test Lead into the COMMON terminal.
- Push the mA/V-Ω pushbutton to the in position.
- Push, to the in position, the range switch corresponding to the desired range of measurement. The 20 kΩ is shown selected.
- Insure that all other pushbuttons are at the out position.
- Make sure the device being measured contains no electrical energy.

WARNING

TO AVOID ELECTRICAL SHOCK AND/OR INSTRUMENT DAMAGE, DO NOT CONNECT THE 8022B TERMINALS TO SOURCES THAT EXCEED THE FOLLOWING LIMITS WHEN MEASURING RESISTANCE:

COMMON: 500V DC/AC RMS WITH RESPECT TO EARTH GROUND.

V-Ω: 500V DC OR AC RMS WITH RESPECT THE COMMON TERMINAL. (15 SECONDS MAXIMUM ABOVE 300V.)

- Connect the test leads across the device being measured.
- Read the measured value in the Display.

Figure 2-8. Resistance (Ω) Operation

2-27. INITIAL CHECK-OUT PROCEDURE

2-28. Now that you have installed the battery, and know where everything is, and how it works, let's make sure that the unit is working properly. We'll run through a simple check-out procedure starting with turn-on. No equipment other than test leads will be required. If a problem is encountered, please check the battery, fuse, switch settings, and test lead connections before contacting your nearest John Fluke Service Center.

NOTE

This procedure is intended to verify overall instrument operation, and is not meant as a substitute for the formal Performance Test given in Section 4. Limits shown exceed the specifications because the procedure uses one measurement function to check another.

1. Set the power switch to OFF and all range and function switches to the released (out) position.
2. Set the power switch to ON and observe the display. It should read 00.0 ± 0.1 .
3. Connect the red test lead to the V/ Ω input terminal.
4. Touch the red probe tip to the COMMON input terminal, and sequentially depress each of the six range switches starting at the top (20 M Ω). The display should read zero ± 1 digit and the decimal point should be positioned as follows:
 - a. 20 M - 0.00
 - b. 2000 k - 000
 - c. 200 k - 00.0
 - d. 20 k - 0.00
 - e. 2 k - .000
 - f. 200 Ω - 00.0
5. Remove the probe from the COMMON input terminal.
6. Depress the lower function button (Ω) and sequentially depress each of the six ranges switches. The display should read 1 as the most significant digit with no other numbers shown. This is the standard overrange indication. Notice that the decimal point changes position with the range switch settings just as it did in step 4 of this procedure.
7. Touch the red probe tip to the COMMON input terminal, and sequentially press each of the range buttons. The display should read zero at each range setting. Lead resistance may be sufficient to cause a one or two tenths (0.1 or 0.2 Ω) indication on the 200 Ω range.
8. Touch the red probe tip to the mA input connector and press the 200 Ω switch. The display should read 99.0 to 101.0.
9. Select the 2 k Ω range. The display should read .099 to .101. Remove the probe from the mA input connector.

10. Depress both the AC/DC switch and the 750V ac range switch. Set the mA/V- Ω switch to the voltage (out) position.

WARNING

THE LOCAL LINE VOLTAGE IS MEASURED IN THE FOLLOWING STEP. BE CAREFUL NOT TO TOUCH THE PROBE TIPS WITH YOUR FINGERS, OR TO ALLOW THE PROBE TIPS TO CONTACT EACH OTHER.

11. Measure the local ac line voltage at a convenient output receptacle. The voltage should be display with 1 volt resolution.

12. If the 8022B has responded properly to this point, it is operational and ready for use.

2-29. MEASUREMENT TECHNIQUES

2-30. The concluding paragraphs of this section offer you techniques that improve the measurement accuracy of your 8022B. While these techniques are in general use throughout the electronics industry, these paragraphs offer specific information for use with your 8022B.

2-31. AC Measurement

2-32. The ac ranges of the 8022B employ an average responding ac converter. This means that the unit measures the average value of the input and displays the measurement as an equivalent rms value for a sine wave. As a result, measurement errors are introduced if the input wave form is distorted (non-sinusoidal). The amount of error depends upon the amount of distortion. Figure 2-9 shows the relationship between sine, square, and triangular waveforms and the required conversion factors.

2-33. Voltage AC/DC

2-34. The 8022B is equipped with five ac and five dc voltage ranges; 200 mV, 2V, 20V, 200V, 750V ac/1000V dc. All ranges present an input impedance of 10 M Ω . On the ac ranges, this is shunted by less than 100 pF. When making measurements, be careful not to exceed the overload limits given earlier in Table 2-2.

2-35. Measurement errors, due to circuit loading, can result when making either ac or dc voltage measurements on circuits with high source resistance. However, in most cases the error is negligible ($\leq 0.1\%$) as long as the source resistance of the measurement circuit is 10 k Ω or less. If circuit loading does present a problem, the percentage of error can be calculated using the appropriate formula in Figure 2-10.

2-36. Current AC/DC

WARNING

INSTRUMENT DAMAGE AND OPERATOR INJURY MAY RESULT IF THE FUSE BLOWS WHILE CURRENT IS BEING MEASURED IN A CIRCUIT WHICH EXHIBITS AN OPEN CIRCUIT VOLTAGE GREATER THAN 600V. DO NOT ATTEMPT AN IN-CIRCUIT CURRENT MEASUREMENT WHERE THE POTENTIAL IS GREATER THAN 600V DC OR RMS AC.

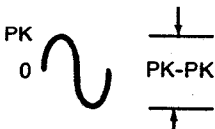


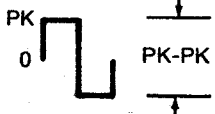

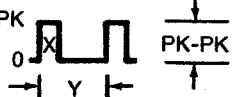
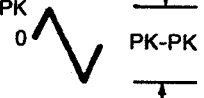
INPUT WAVEFORM	DISPLAY MULTIPLIER FOR MEASUREMENT CONVERSION			
	PK-PK	0-PK	RMS	AVG
<p>SINE</p> 	2.828	1.414	1.000	0.900
<p>RECTIFIED SINE (FULL WAVE)</p> 	1.414	1.414	1.000	0.900
<p>RECTIFIED SINE (HALF WAVE)</p> 	2.828	2.828	1.414	0.900
<p>SQUARE</p> 	1.800	0.900	0.900	0.900
<p>RECTIFIED SQUARE</p> 	1.800	1.800	1.272	0.900
<p>RECTANGULAR PULSE</p> <p>$D=X/Y$</p> 	$0.9/D$	$0.9/D$	$0.9/D^{1/2}$	$0.9D$
<p>TRIANGLE SAWTOOTH</p> 	3.600	1.800	1.038	0.900

Figure 2-9. Waveform Conversion

1. DC VOLTAGE MEASUREMENTS

$$\text{Loading Error in \%} = 100 \times R_s \div (R_s + 10^7)$$

Where: R_s = Source resistance in ohms of circuit being measured.

2. AC VOLTAGE MEASUREMENTS

First, determine input impedance, as follows:*

$$Z_{in} = \frac{10^7}{\sqrt{1 + (2\pi F \cdot R_{in} \cdot C)^2}}$$

Where: Z_{in} = effective input impedance

R_{in} = 10^7 ohms

C_{in} = 100×10^{-12} Farads

F = frequency in Hz

Then, determine source loading error as follows:*

$$\text{Loading Error in \%} = 100 \times \frac{Z_s}{Z_s + Z_{in}}$$

Where: Z_s = source impedance

Z_{in} = input impedance (calculated)

* Vector algebra required.

Figure 2-10. Voltage Measurement Error Calculations (Loading Error)

2-37. Four ac and four dc current ranges are included on the 8022B: 2 mA, 20 mA, 200 mA and 2000 mA. Each range is diode protected to 2 amps and fuse protected above 2 amps. If a fuse blows, refer to fuse check and replacement information given earlier in this section.

2-38. In high electrical noise environments (near ignition switches, fluorescent lights, relay switches, etc.) unstable or erroneous readings (exceeding specifications) may occur. The effect is most obvious when measuring low level current on the 2 mA range. If an erratic or erroneous reading is suspected, temporarily jumper the V/ Ω connector to the mA connector. This is recommended for the 2 mA and 20 mA ranges only.

CAUTION

To avoid possible instrument damage and/or erroneous measurements remove the temporary V/ Ω -to-mA jumper before attempting voltage or resistance measurements.

2-39. Full-scale burden voltage (voltage drop across the fuse and current shunt) for all ranges except 2000 mA is less than 300 mV. The 2000 mA range has a full-scale burden voltage of less than 900 mV. These voltage drops can affect the accuracy of a current measurement, if the current source is unregulated and the shunt plus fuse resistance represents a significant portion (1/1000 or more) of the source resistance. If burden voltage does present a problem, the percentage of error can be calculated using the formula in Figure 2-11. This error can be minimized by using the highest current range that gives the necessary resolution. For example, if 20 mA is measured on the 2000 mA range the burden voltage is approximately 5 mV.

2-40. Resistance

2-41. Six direct reading resistance scales are provided on the 8022B: 20 M Ω , 2000 k Ω , 200 k Ω , 20 k Ω , 2 k Ω and 200 Ω . All scales employ a two-wire measurement technique. As a result, test lead resistance may influence measurement accuracy on the 200 Ω range. To determine the error, short the test leads together and read the lead resistance. Correct the measurement by subtracting the lead resistance from the measurement reading. The error is generally on the order of 0.2 to 0.3 ohms for a standard pair of test leads.

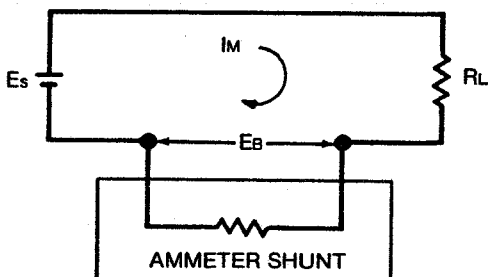
2-42. Three resistance ranges (2 k Ω , 200 k Ω , and 20 M Ω) have a high enough open circuit voltage to turn on a silicon junction. These ranges can be used to check silicon diodes and transistors. The 2 k Ω range is preferred for this function and is marked with a diode symbol. On the three alternate ranges (200 Ω , 20 k Ω , and 2000 k Ω), the full scale voltage is not high enough to turn a silicon junction on. Use these ranges to make in circuit resistance measurements. Maximum full scale voltage and short circuit current for each resistance range is given in Table 2-3. All values shown are referenced to the COMMON input terminal; i.e., the V/ Ω terminal is positive.

NOTE

Any change (greater than one or two digits) in apparent resistance when test leads are reversed may indicate either the presence of a diode junction or a voltage in the circuit.

CAUTION

Turn test circuit power off and discharge all capacitors before attempting in-circuit resistance measurements.



E_S = Source voltage

R_L = Load resistance + Source resistance

I_M = Measured current (display reading in mA)

E_B = Burden voltage (calculated), i.e., Display reading expressed as a % of full-scale ($100 \times \frac{\text{READING}}{\text{FULL-SCALE}}$)

times full-scale burden voltage for selected range. See Table.

RANGE	MAXIMUM BURDEN VOLTAGE
2 mA to 200 mA	0.3V
2000 mA	0.9V

current error due to Burden Voltage

$$IN \% = 100 \times \frac{E_B}{E_S - E_B}$$

$$IN \text{ mA} = \frac{E_B \times I_M}{E_S - E_B}$$

Example: $E_S = 14V$, $R_L = 9\Omega$, $I_M = 1497 \text{ mA}$,

$$E_B = 100 \times \frac{1497}{2000} \times 0.9 \text{ (from Table)} =$$

$$74.9\% \times 0.9 = 0.674V$$

$$\text{Error in \%} = 100 \frac{.674}{14 - .674} = 100 \frac{.674}{13.326} = 5.06\%$$

Increase displayed current by 5.06% to obtain true current.

$$\text{Error in mA} = \frac{.674 \times 1497}{14 - .674} = \frac{1009}{13.326} = 76 \text{ mA}$$

Increase displayed current by 76 mA to obtain true current.

Figure 2-11. Current Measurement Error Calculations

Table 2-3. Voltage/Current Capability of Resistance Ranges

RANGE	FULL-SCALE VOLTAGE (TYPICAL)	SHORT CIRCUIT CURRENT (TYPICAL)
20 M Ω	+800 mV	+0.12 μ A
2000 k Ω	+200 mV	+0.12 μ A
200 k Ω	+800 mV	+12 μ A
20 k Ω	+200 mV	+12 μ A
2 k Ω \rightarrow	+1.1V	+1.0 mA
200 Ω	+55 mV	+0.3 mA

Section 3

Theory of Operation

3-1. INTRODUCTION

3-2. This section of the manual contains an overall functional description followed by a block diagram analysis of the 8022B. A detailed schematic of the 8022B appears in Section 7.

3-3. OVERALL FUNCTIONAL DESCRIPTION

3-4. The Model 8022B as shown in Figure 3-1, is a hand-held five function digital multimeter. It features a total of 24 measurement ranges (dc volts-five, ac volts-five, ohms-six, dc mA-four, ac mA-four) a high contrast, easy-to-read, 3-1/2-digit, liquid crystal display; long battery life (up to 200 hours); and overload protection for all ranges.

3-5. Operation centers around a custom LSI chip, U1, which contains a dual slope a/d converter and a display driver. Peripherals to U1 include range and function switches, input signal conditioners, and the display. When an input signal is applied to the 8022B, it is routed through the range switches to one of four input signal conditioners as determined by the function switch setting. Each conditioner scales and, if necessary, rectifies the input so that an acceptable dc input level (-0.2 to $+0.2V$ dc) is presented to the a/d converter.

3-6. Timing for the overall operation of the a/d converter is derived from an external quartz crystal whose frequency is a multiple of the local line frequency. This allows the conditioned dc input data to be integrated over a single line cycle, thus optimizing both common mode and normal mode rejection.

3-7. Digitized measurement data is presented to the display as four decoded digits (seven segments) plus polarity. Decimal point position on the display is determined by the range switch settings.

3-8. BLOCK DIAGRAM ANALYSIS

3-9. A/D Converter

3-10. The entire analog-to-digital conversion process is accomplished by a single custom A/D Converter and Display Driver IC, U1. The IC employs the dual slope method of a/d conversion, and requires a series of external components to establish the basic timing and reference levels required for operation. These include an integrating capacitor, an autozero capacitor, and a flying capacitor (for applying a reference level of either polarity). Since the power consumed for display operation is very low, the a/d converter IC also contains the latches, decoders, and drivers required for the display.

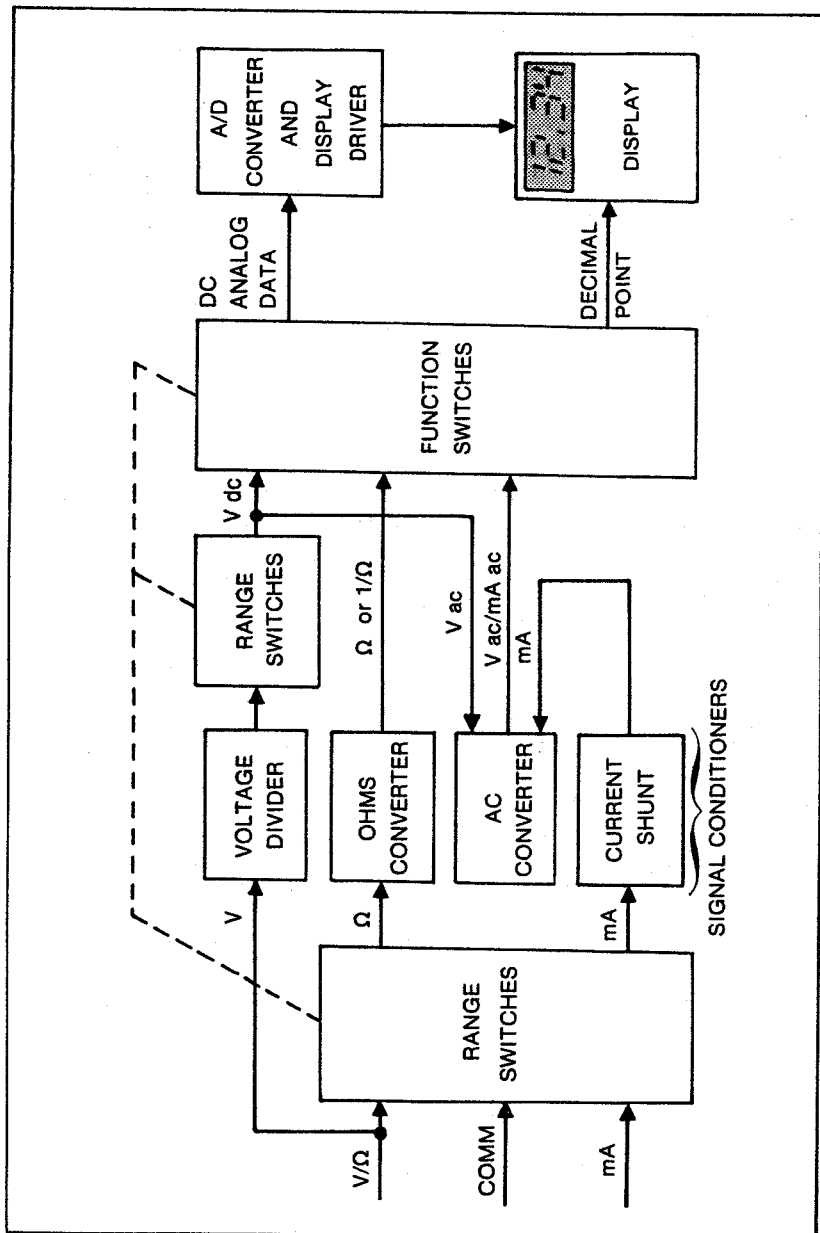


Figure 3-1. 8022B Simplified Block Diagram

3-11. The digital control portion of the a/d conversion process is an internal function of U1, and is keyed to the external crystal frequency. As a result, the conversion process is continuously repeated, and the display is updated at the end of every conversion cycle.

3-12. A simplified circuit diagram of the analog portion of the a/d converter is shown in Figure 3-2. Each of the switches shown represent analog gates which are operated by the digital section of the a/d converter. Basic timing for switch operation and a complete measurement cycle are also included in the figure.

3-13. Any given measurement cycle performed by the a/d converter can be divided into three consecutive time periods, autozero (AZ), integrate (INTEG), and read. Both autozero and integrate are fixed time periods whose lengths are multiples of the clock frequency. A counter determines the length of both time periods by providing an overflow at the end of every 10,000 clock pulses. The read period is a variable time which is proportional to the unknown input voltage. The value of the voltage is determined by counting the number of clock pulses that occur during the read period.

3-14. During autozero a ground reference is applied as an input to the a/d converter. Under ideal conditions the output of the comparator would also go to zero. However, input-offset-voltage errors accumulate in the amplifier loop, and appear at the comparator output as an error voltage. This error is impressed across the AZ capacitor where it is stored for the remainder of the measurement cycle. The stored level is used to provide offset voltage correction during the integrate and read periods.

3-15. The integrate period begins at the end of the autozero period. As the period begins, the AZ switch opens and the INTEG switch closes. This applies the unknown input voltage to the input of the a/d converter. The voltage is buffered and passed on to the integrator to determine the charge rate (slope) on the INTEG capacitor. By the end of the fixed integrate period the capacitor is charged to a level proportional to the unknown input voltage. This voltage is translated to a digital indication by discharging the capacitor at a fixed rate during the read period, and counting the number of clock pulses that occur before it returns to the original autozero level.

3-16. As the read period begins, the INTEG switch opens and the read switch closes. This applies a known reference voltage to the input of the a/d converter. The polarity of this voltage is automatically selected to be opposite that of the unknown input voltage, thus, causing the INTEG capacitor to discharge at a fixed rate (slope). When the charge is equal to the initial starting point (autozero level), the read period is ended. Since the discharge slope is fixed during the read period, the time required for discharge is proportional to the unknown input voltage.

3-17. The autozero period and, thus, a new measurement cycle begins at the end of the read period. At the same time the counter is released for operation by transferring its contents (previous measurement value) to a series of latches. This stored data is then decoded and buffered before being used for driving the liquid crystal display.

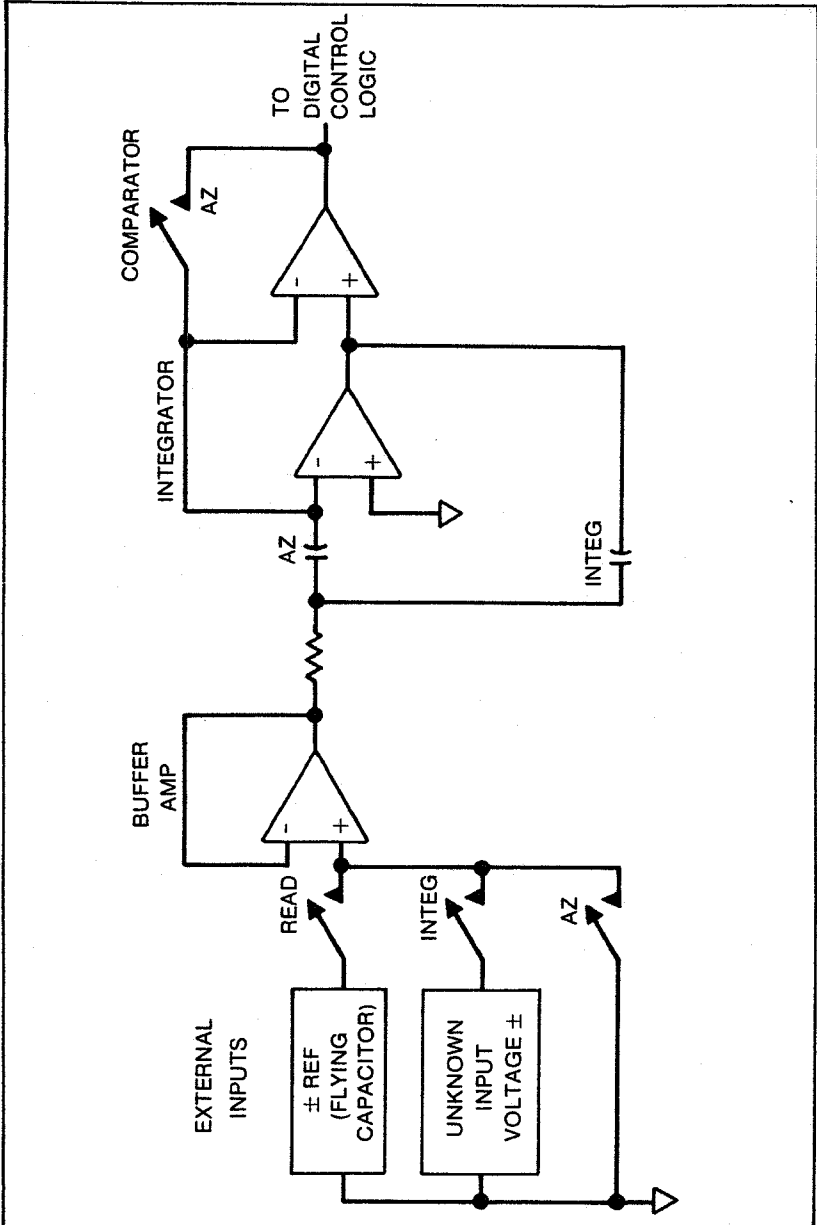


Figure 3-2. Dual Slope A/D Converter

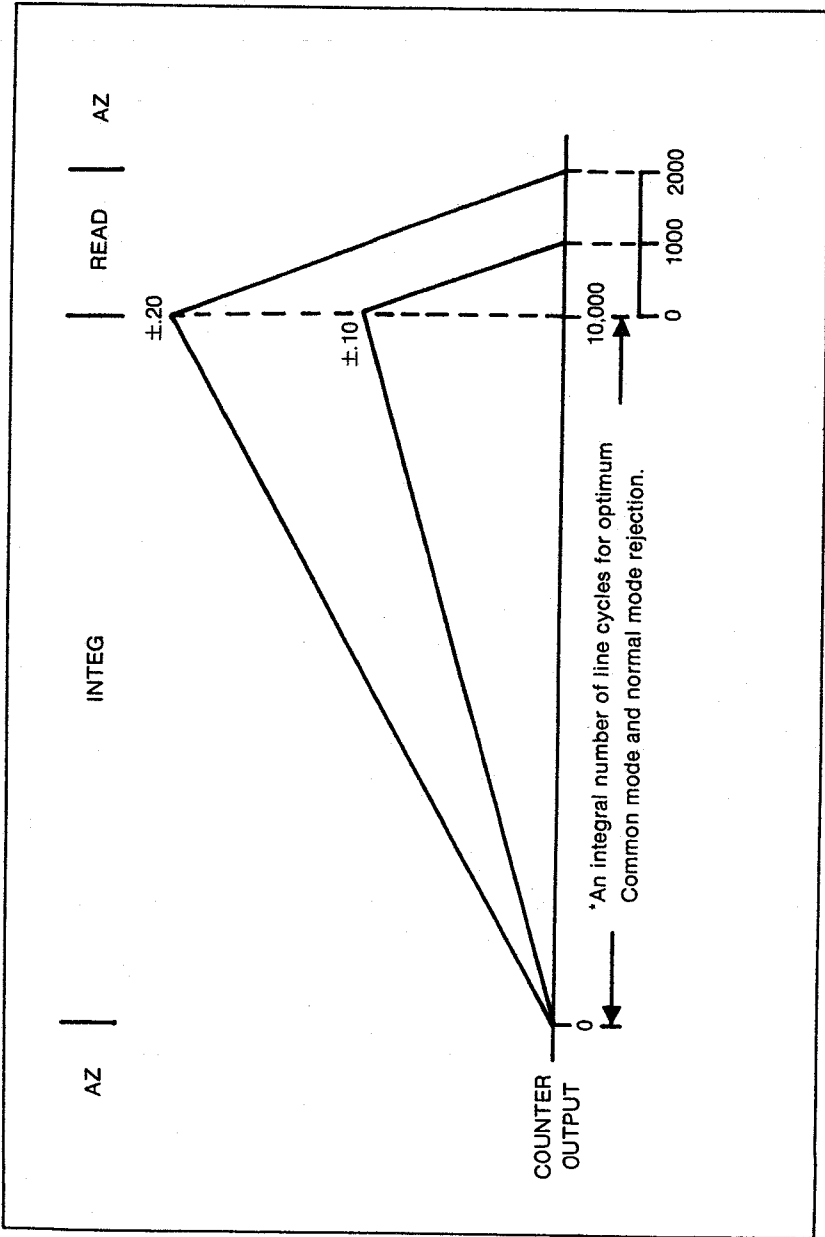


Figure 3-2. Dual Slope A/D Converter (cont)

3-18. Input Signal Conditioners

3-19. The a/d converter requires two externally supplied input voltages to complete a measurement cycle. One is a reference voltage and the other is an unknown dc voltage within the range of -0.2 to $+0.2V$ dc. If the function being measured is other than a dc voltage within the ± 0.2 range, it must be scaled and/or conditioned before being presented to the a/d converter. For example, higher dc levels must be divided; ac inputs must be divided, rectified, and filtered; and resistance and current inputs must be scaled and converted to dc voltage levels. The following paragraphs describe the input signal conditioners used for each of the 8022B measurement functions. The descriptions are illustrated by Figure 3-3.

3-20. VOLTAGE MEASUREMENT

3-21. Both the ac and dc voltage ranges use an over-voltage-protected, $10\text{ M}\Omega$ input divider as shown in Figure 3-3A. Under normal conditions, assuming a dc input level on the proper range, the divider output is a -0.2 to $+0.2V$ dc signal and is an exact (power-of-10) ratio of the input signal. If the VAC function is selected, the divider output is ac coupled to an active full-wave rectifier whose dc output is calibrated to equal the rms level of the ac input. The conditioned signal for the selected function (V ac or V dc) is then passed through a filter before being presented to the a/d converter as the unknown input.

3-22. CURRENT MEASUREMENT

3-23. Current measurements are made using a fuse protected, switchable, four-terminal current shunt (0.1Ω , 1Ω , 10Ω , or 100Ω) to perform the current-to-voltage conversion required by the a/d converter. See Figure 3-3B. The voltage ($I R$) drop produced across the selected shunt may be either ac or dc depending upon the selected function, mA AC or mA DC. If the input current is dc and the dc function is selected, the $I R$ drop is passed through a low-pass filter and presented as the unknown input to the a/d converter. However, if the input current is ac and the AC function is selected, the $I R$ drop is rectified by the ac converter before going to the low-pass filter. In either event the a/d converter receives a dc input voltage proportional to the current passing through the selected shunt.

3-24. RESISTANCE MEASUREMENTS

3-25. Resistance measurements are made using a ratio technique as shown in Figure 3-3C. When the Ω function is selected, a simple series circuit is formed by the internal reference voltage, a reference resistor from the voltage divider (selected by range switches), and the external unknown resistor. The ratio of the two resistor values is equal to the ratio of their respective voltage drops. Therefore, since the value of one resistor is known, the value of the second can be determined by using the voltage drop across the known resistor as a reference. This determination is made directly by the a/d converter.

3-26. Overall operation of the a/d converter during a resistance measurement is basically as described earlier in this section, with one exception. The reference voltage present during a voltage measurement is replaced by the voltage drop across the reference resistor. This allows the voltage across the unknown resistor to be read during the integrate period and compared against the reference resistor during the read period. As before, the length of the read period is a direct indication of the value of the unknown.

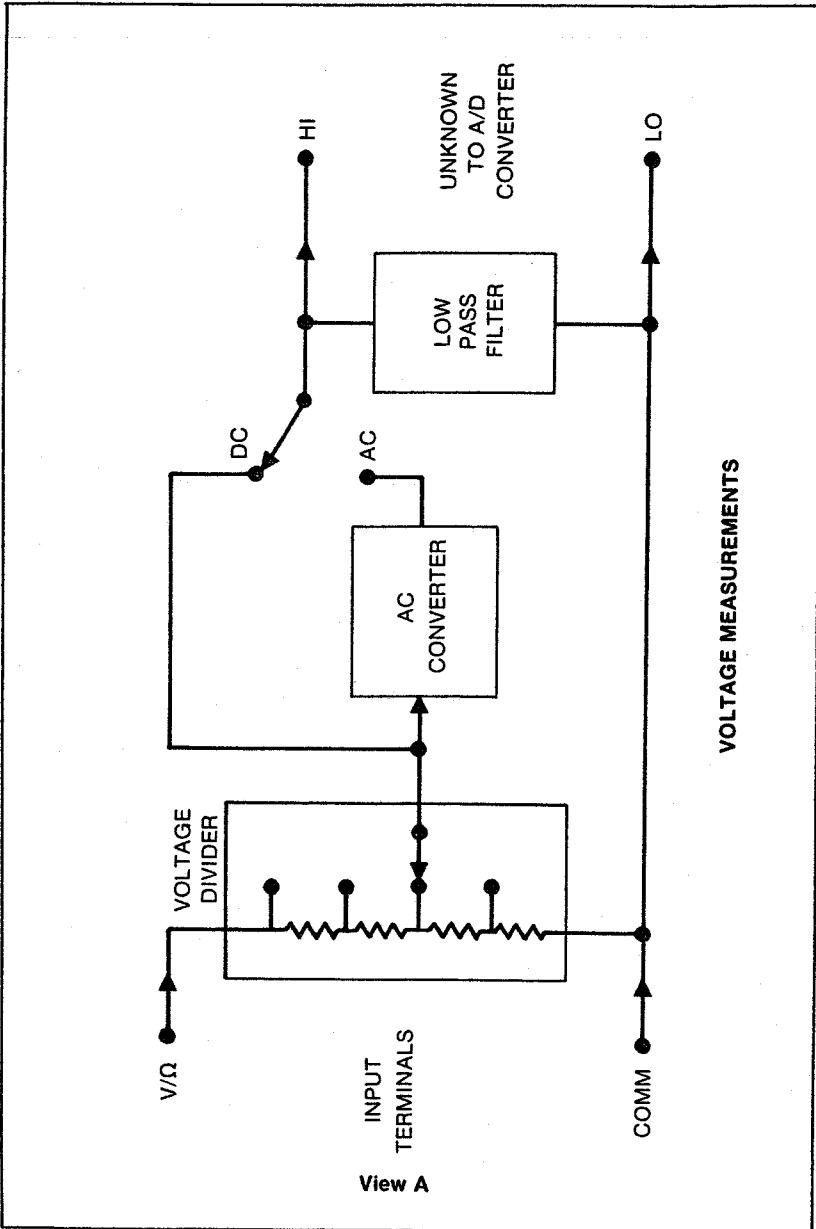


Figure 3-3. Input Signal Conditioners

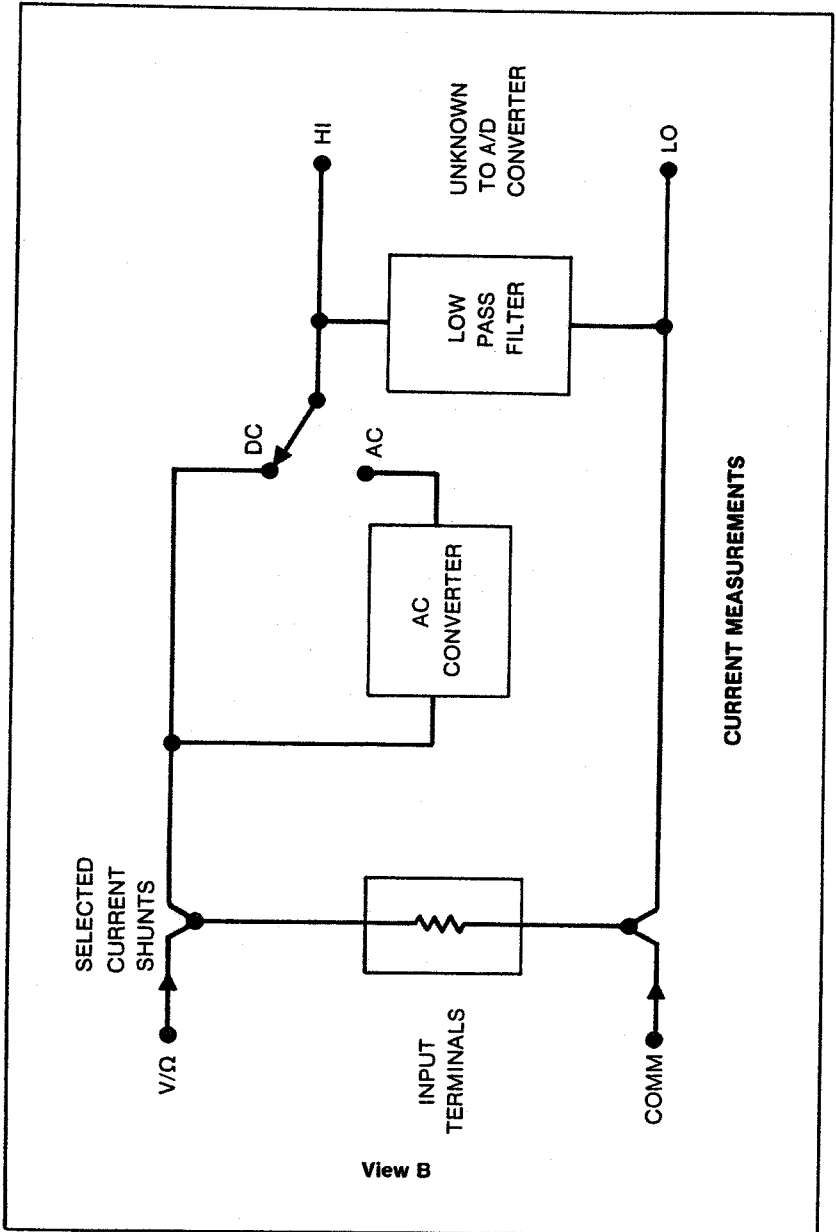


Figure 3-3. Input Signal Conditioners (cont)

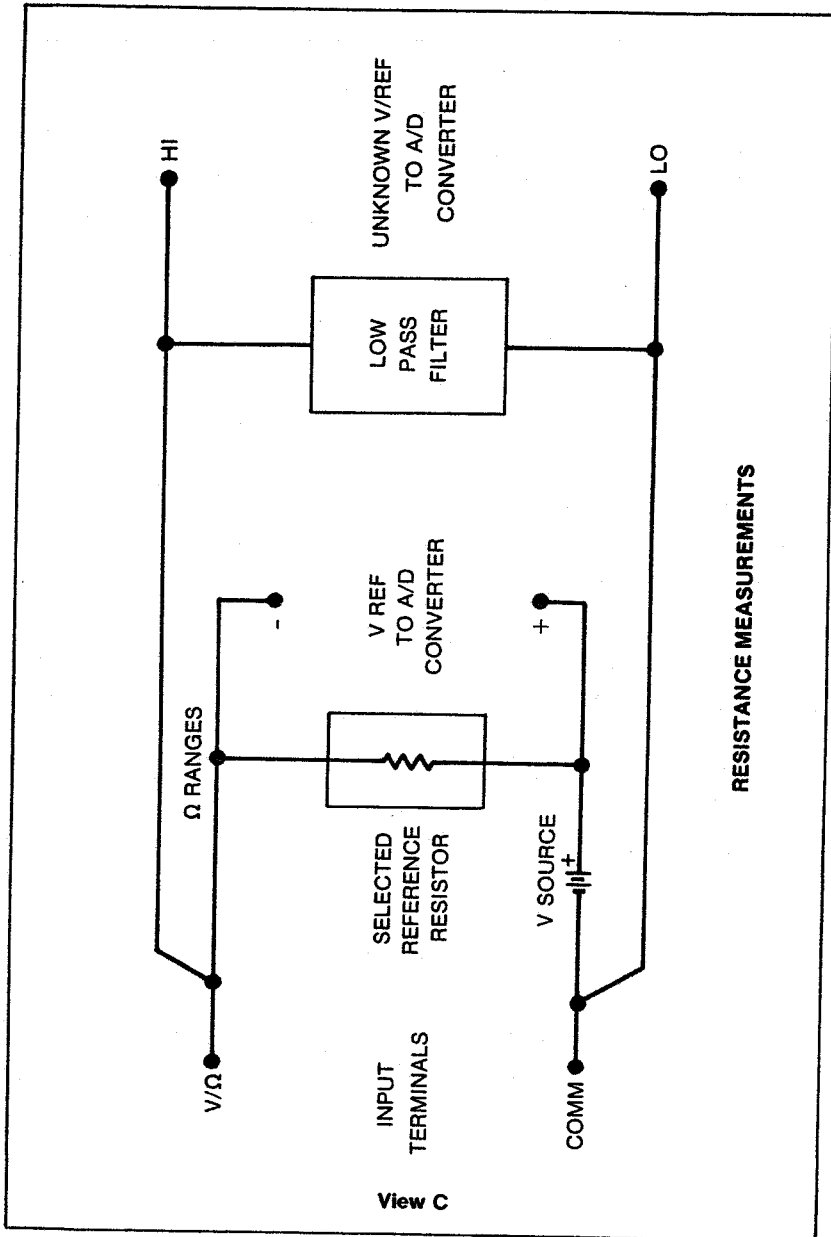
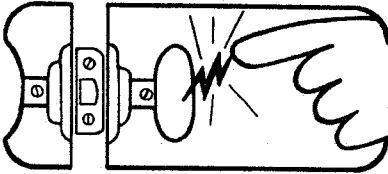


Figure 3-3. Input Signal Conditioners (cont)


static awareness


A Message From
John Fluke Mfg. Co., Inc.



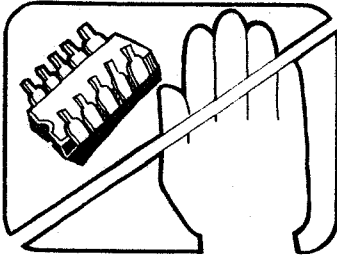
Some semiconductors and custom IC's can be damaged by electrostatic discharge during handling. This notice explains how you can minimize the chances of destroying such devices by:

1. Knowing that there is a problem.
2. Learning the guidelines for handling them.
3. Using the procedures, and packaging and bench techniques that are recommended.

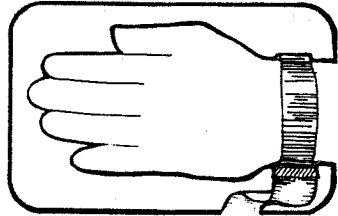
The Static Sensitive (S.S.) devices are identified in the Fluke technical manual parts list with the symbol



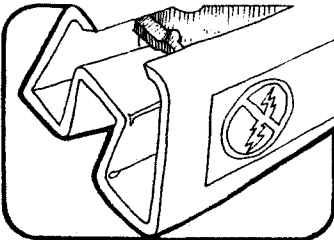
The following practices should be followed to minimize damage to S.S. devices.



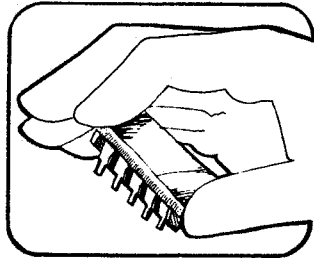
1. MINIMIZE HANDLING



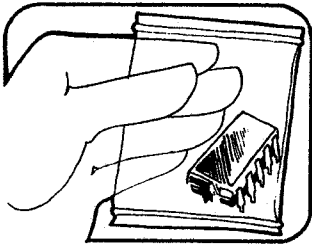
3. DISCHARGE PERSONAL STATIC BEFORE HANDLING DEVICES



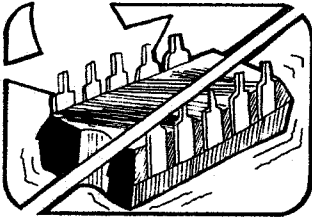
2. KEEP PARTS IN ORIGINAL CONTAINERS UNTIL READY FOR USE.



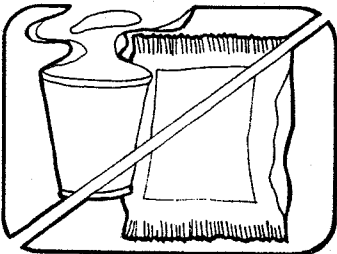
4. HANDLE S.S. DEVICES BY THE BODY



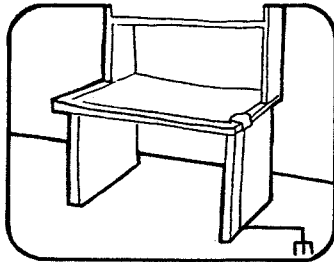
5. USE ANTI-STATIC CONTAINERS FOR HANDLING AND TRANSPORT



6. DO NOT SLIDE S.S. DEVICES OVER ANY SURFACE



7. AVOID PLASTIC, VINYL AND STYROFOAM IN WORK AREA



8. HANDLE S.S. DEVICES ONLY AT A STATIC-FREE WORK STATION
9. ONLY ANTI-STATIC TYPE SOLDER-SUCKERS SHOULD BE USED.
10. ONLY GROUNDED TIP SOLDERING IRONS SHOULD BE USED.

Anti-static bags, for storing S.S. devices or pcbs with these devices on them, can be ordered from the John Fluke Mfg. Co., Inc.. See section 5 in any Fluke technical manual for ordering instructions. Use the following part numbers when ordering these special bags.

John Fluke Part No.	Bag Size
453522	6" x 8"
453530	8" x 12"
453548	16" x 24"
454025	12" x 15"

Section 4

Maintenance

WARNING

THESE SERVICING INSTRUCTIONS ARE FOR USE BY QUALIFIED PERSONNEL ONLY. TO AVOID ELECTRIC SHOCK, DO NOT PERFORM ANY SERVICING OTHER THAN THAT CONTAINED IN THE OPERATING INSTRUCTIONS UNLESS YOU ARE QUALIFIED TO DO SO.

4-1. INTRODUCTION

4-2. This section of the manual contains maintenance information for the Model 8022B. This includes service information, general maintenance, performance test, calibration and troubleshooting. The performance test is recommended as an acceptance test when the unit is first received, and later as a preventive maintenance tool to verify proper instrument operation. A 2-year calibration cycle is recommended to maintain the specifications given in Section 1 of this manual. The test equipment required for both the performance test and calibration is listed in Table 4-1. If the recommended equipment is not available, instruments having equivalent specifications may be used.

4-3. SERVICE INFORMATION

4-4. The 8022B is warranted for a period of 2 years upon delivery to the original purchaser. Conditions of the warranty are given at the rear of this manual.

4-5. Malfunctions that occur within the limits of the warranty will be corrected at no charge. Simply mail the instrument (postpaid) to your nearest authorized (in-warranty) Fluke Technical Service Center. A complete list of service centers are provided at the rear of this manual. Dated proof-of-purchase will be required for all in-warranty repairs.

4-6. Factory authorized service centers are also available for calibration and/or repair of instruments that are beyond their warranty period. Contact your nearest authorized Fluke Technical Service Center for a cost quotation.

4-7. GENERAL INFORMATION

4-8. Access Information

NOTE

To avoid contaminating the pcb with oil from the fingers, handle it by the edges or wear gloves. If the pcb does become contaminated, refer to the cleaning procedure given later in this section.

Table 4-1. List of Recommended Test Equipment

INSTRUMENT TYPE	REQUIRED CHARACTERISTICS	RECOMMENDED MODEL
PREFERRED		
DMM Calibrator	John Fluke 5100A family	John Fluke Models 5100A, 5101A, 5102A
ALTERNATE		
AC Calibrator	Voltage Range: 0 to 750V ac Frequency Range: 100 to 450 Hz: $\pm 0.25\%$ Voltage Accuracy: 100 to 450 Hz: $\pm 0.1\%$	John Fluke Models 5200A and 5215A
DC Calibrator	Voltage Range: 0 to 1000V dc Accuracy: $\pm 0.025\%$	John Fluke Model 343A
DC Current Calibrator	Current Range: 2 mA to 2A Accuracy: $\pm 0.2\%$	John Fluke Model 382A
Decade Resistor or Individual Resistors	Resistance Values: 190 Ω , 1.9 k Ω , 19 k Ω , 190 k Ω , 1.9 M Ω , and 10 M Ω Accuracy: $\pm 0.025\%$ Power Rating: $\geq 1/8$ watt	ESI Model DB62

4-9. BACKUP FUSE (F2) AND CALIBRATION ACCESS

4-10. Use the following procedure to access the 8022B calibration adjustments.

1. Set the power switch to OFF.
2. Disconnect the test leads and the battery eliminator, if attached.
3. Open the battery compartment, and disconnect the battery.
4. Remove the three phillips-head screws from the bottom of the case.
5. Turn the instrument face-up, and grasp the top cover at both sides of the input connectors. Then, pull the top cover from the unit.
6. Backup Fuse (F2), and all adjustments necessary to complete the calibration procedure are now accessible (see Figure 4-1).

4-11. COMPONENT/PCB ACCESS

4-12. Use the following procedure to remove the Main PCB Assembly from the case:

1. Complete the calibration access procedure.

2. Remove the screw from the shield.
3. Using your index finger, lift the lower right-hand corner of the pcb. When the pcb is freed, pull it to the right until it clears the shelf under the push buttons, and then lift up.
4. To reassemble the 8022B, logically reverse this procedure.

NOTE

When installing the pcb, route the battery-clip wires behind the post on the left-hand side of the bottom case, and thread the battery-clip through the battery-cover opening. Also make sure that the removable plastic lip that resides beneath the range switch push buttons is properly installed in the bottom case. The green power switch cap should also be mounted on the power switch.

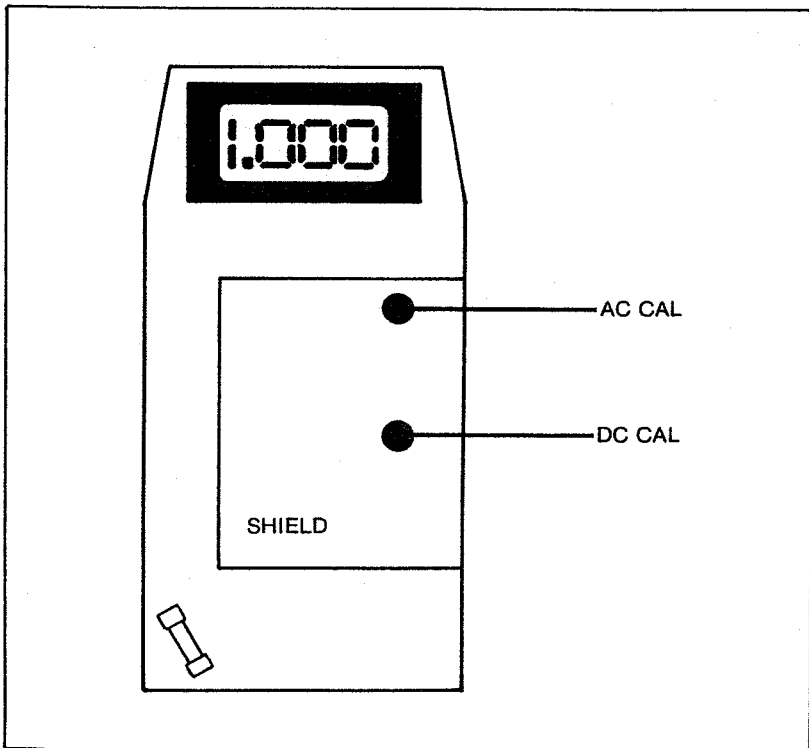


Figure 4-1. Calibration Adjustment Locations

4-13. DISPLAY ACCESS

4-14. Refer to Figure 4-2 and the following procedure to remove/replace the LCD assembly:

1. Remove the Main PCB Assembly using the PCB access procedure.
2. Place your thumbs on either side of the display lens and carefully push the lens out of the LCD bracket.
3. Turn the LCD bracket upside down and gently tap it against your palm. The LCD should fall out.

NOTE

When installing the LCD make certain that its flat surface is facing out and its connector pattern is on top of and makes contact with the flexible layered connector. The layered connector ends, the LCD edge connections, and the PCB edge connections must be thoroughly cleaned and free of particles to assure proper display operation.

4-15. LSI (U1) ACCESS

4-16. Use the following procedure to remove/replace the A/D Converter and Display Driver IC, U1.

1. Remove the pcb assembly using the component/pcb access procedure.

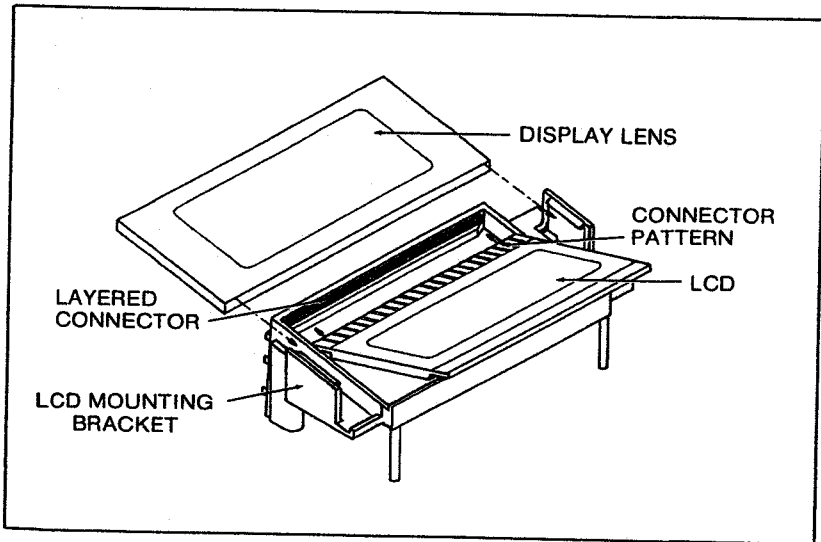


Figure 4-2. LCD Display Assembly

2. On the bottom of the pcb locate and remove the two Phillips screws from the display assembly.
3. Lift the display assembly from the pcb to expose U1.

CAUTION

U1 is a MOS device and is subject to damage by static discharge. Observe the precautions given later in this section under troubleshooting before attempting to remove or replace U1.

4. Use a screw driver or a reasonable substitute to rock (by prying up on each end of the IC) the IC out of its socket.
5. When installing U1 make sure all pins are lined up in the socket, and then carefully press it into place.

4-17. Cleaning**CAUTION**

Do not use aromatic hydrocarbons or chlorinated solvents for cleaning. These solutions will react with the plastic materials used in the instrument.

CAUTION

Do not allow the liquid crystal display to get wet. Remove the Display Assembly before washing the pcb and do not install it until the pcb has been fully dried.

- 4-18. Clean the front panel and case with a mild solution of detergent and water. Clean dust from the circuit board with low pressure (20 psi) dry air. Contaminates can be removed from the circuit board with demineralized water and a soft brush (remove the Display Assembly before washing, and avoid getting excessive amounts of water on the switches). Dry with clean, dry air at low pressure, and then bake at 50 to 60°C (124-140°F) for 24 hours.

4-19. Battery/Backup Fuse Replacement**WARNING**

BATTERY/FUSE REPLACEMENT SHOULD ONLY BE PERFORMED AFTER THE TEST LEADS HAVE BEEN REMOVED FROM THE INPUT JACKS AND THE POWER SWITCH IS SET TO OFF. THE BACKUP FUSE REPLACEMENT PROCEDURE MUST BE PERFORMED BY QUALIFIED SERVICE PERSONNEL ONLY. USE ONLY THE RECOMMENDED FUSE TYPE FOR REPLACEMENT.

- 4-20. Refer to Section 2 of this manual for battery and main fuse (F1) replacement procedure. Use the following procedure to replace the backup fuse (F2):

1. Complete the Backup Fuse and Calibration Access procedure located earlier in this section.

2. Using a pointed tool such as a probe tip, pry the backup fuse from its holder.
3. Replace the defective backup fuse with a 3A, 600V type BBS-3 only.

4-21. PERFORMANCE TEST

4-22. The performance test is used to compare the 8022B performance with the list of specifications given in Section I of this manual. It is recommended for incoming inspection, periodic maintenance, and to verify specifications. If the instrument fails any part of the test, calibration and/or repair is indicated.

4-23. Initial Procedure

4-24. Establish the following test conditions before continuing with the Performance Test:

1. Allow the unit to stabilize at an ambient temperature of $23 \pm 5^{\circ}\text{C}$ ($73 \pm 9^{\circ}\text{F}$).
2. Check and, if necessary, replace the fuses and battery.
3. Set the power switch to ON.

4-25. Display Test

4-26. The following procedure is used to test the operation of all display digits and segments:

1. Select the Ω function and the 20 k Ω range. The display should be blanked with the exception of the overrange indicator (1) in the left hand column and a decimal point in the center of the display.
2. Connect a Decade Resistor between the V/ Ω and COMMON input terminals.
3. Set the Decade Resistor to 10 k Ω and verify a display of 10.00 \pm 3 digits.
4. Sequentially increase the resistance in 1.11 k Ω steps and verify the operation of each digit and its segments.
5. Disconnect the Decade Resistor at the input terminals, and select the 2000 k Ω range. A decimal point should not be displayed.
6. Sequentially select the 200, 20 and 2 k Ω range. The decimal point should appear in the tenths, hundredths, and thousandths position, respectively.

4-27. Resistance Test

4-28. The operation and accuracy of the resistance ranges are tested in the following procedure:

1. Connect the Decade Resistor between the V/ Ω and COMMON input terminals.
2. Refer to Table 4-2, and select the range and input conditions specified in step 1. Verify that the display reading is within the limits shown.

Table 4-2. Resistance Checks

STEP	RANGE	JOHN FLUKE 5100A/5101A/5102A		DECADE RESISTOR	
		INPUT RESISTANCE	DISPLAY READING	INPUT RESISTANCE	DISPLAY READING
1	200 Ω	Short	00.0 to 00.2	Short	00.0 to 00.2
2	2 k Ω	Short	0.000 to 0.001	Short	0.000 to 0.001
3	200 Ω	100 Ω	99.4 to 100.6	190 Ω	189.1 to 190.9
4	2 k Ω	1 k Ω	0.997 to 1.003	1.9 k Ω	1.895 to 1.905
5	20 k Ω	10 k Ω	9.97 to 10.03	19 k Ω	18.95 to 19.05
6	200 k Ω	100 k Ω	99.7 to 100.3	190 k Ω	189.5 to 190.5
7	2000 k Ω	1000 k Ω	980 to 1020	1900 k Ω	1861 to 1939
8	20 M Ω	10 M Ω	9.80 to 10.2	10 M Ω	9.80 to 10.20

3. Execute and verify steps 2 through 8 of Table 4-2, using the procedure described in step 2.

4-29. DC Voltage Test

4-30. Use the following procedure to check the accuracy and overall operation of the dc voltage ranges.

WARNING

CONNECT THE GROUND/Common/LOW SIDE OF THE VOLTAGE CALIBRATOR TO COMMON ON THE 8022B.

1. Set the DC Calibrator for a zero volt output.
2. Connect the DC Calibrator output to the V/ Ω and COMMON input terminals of the 8022B (calibrator ground/common/low to 8022B COMMON).
3. With reference to Table 4-3, select the 8022B voltage range given in step 1, and set the DC Calibrator output to the corresponding 8022B input voltage. Verify that the display reading is within the limits shown.
4. Execute and verify steps 2 through 7 of Table 4-3, using the procedure described in step 3.

4-31. AC Voltage Test

4-32. The ac voltage ranges are checked for accuracy and operation using the following procedure:

WARNING

CONNECT THE GROUND/Common/LOW SIDE OF THE AC CALIBRATOR TO COMMON ON THE MODEL 8022B.

1. Set the AC Calibrator for a zero volt ac output.
2. Connect the AC Calibrator output to the V/ Ω and COMMON input terminals for the 8022B (calibrator ground/common/low to 8022B COMMON).
3. With reference to Table 4-4, select the 8022B voltage range given in step 1, and set the AC Calibrator output to the corresponding 8022B input voltage and frequency. Verify that the display reading is within the limits shown.
4. Execute and verify steps 2 through 7 of Table 4-4, using the procedure described in step 3.

4-33. DC Current Test

4-34. The following procedure is used to check the operation and accuracy of the dc current ranges:

1. Set the output of the DC Current Calibrator to zero mA.

Table 4-3. DC Voltage Test

STEP	VOLTAGE RANGE	INPUT VOLTAGE, DC	DISPLAY READING
1	200 mV	+190.0 mV	189.4 to 190.6
2	200 mV	-190.0 mV	-189.4 to -190.6
3	2V	0.0V	-.001 to .001
4	2V	+1.9V	1.894 to 1.906
5	20V	+19V	18.94 to 19.06
6	200V	+190V	189.4 to 190.6
7	1000V	+1000V	997 to 1003

Table 4-4. AC Voltage Test

STEP	VOLTAGE RANGE	INPUT		DISPLAY READING
		VOLTAGE	FREQ.	
1	200 mV	Short	-	00.0 to 00.2
2	200 mV	190 mV	100 Hz	188.4 to 191.6
3	200 mV	19 mV	100 Hz	18.7 to 19.3
4	2V	1.9V	100 Hz	1.884 to 1.916
5	20V	19V	100 Hz	18.84 to 19.16
6	200V	190V	100 Hz	188.4 to 191.6
7	750V	750V	400 Hz	741 to 759

If the alternate test equipment listed in Table 4-1 is used, the Input Frequency in step 7 should be 100 Hz. All other factors of step 7 are the same.

2. Connect the output of the DC Current Calibrator to the mA and COMMON input terminals on the 8022B.
3. With reference to Table 4-5, select the 8022B current range indicated in step 1, and set the DC Current Calibrator output to provide the corresponding 8022B input current. Verify that the display reading is within the limits shown.
4. Execute and verify steps 2 through 4 of Table 4-5, using the procedure described in step 3.

4-35. CALIBRATION

4-36. Under normal operating conditions, the 8022B should be calibrated once every two years to maintain the specifications given in Section 1 of this manual. If instrument repairs have been made or if the unit fails the performance test, immediate calibration is indicated. Equipment required for calibration is given in Table 4-1. If the necessary equipment is not available, your nearest authorized Fluke Technical Service Center will be happy to help. A list of these service centers, as well as shipping information, is given at the back of this manual.

4-37. Use the following procedure to calibrate the 8022B:

NOTE

This procedure assumes an ambient temperature of $23 \pm 2^\circ \text{C}$ (70 to 77°F) and a relative humidity of less than 80%. The temperature of the unit should be allowed to stabilize for at least 30 minutes before calibration begins.

1. Remove the top cover from the 8022B using the access procedure given earlier in this section.
2. Set the 8022B power switch to ON and select the 200 mV DC range.
3. Set the output of the DC Calibrator to +190.0 mV and connect it to the 8022B input terminals; + to V/ Ω , and - to COMMON.
4. Adjust the DC CAL pot (R5), as shown in Figure 4-1, for a display of 190.0 or 190.1. (Use a plastic adjustment tool or a plastic screw driver for all adjustments.)
5. Disconnect the DC Calibrator from the 8022B input terminals.

Table 4-5. DC Current (mA) Checks

STEP	CURRENT RANGE	INPUT CURRENT, DC	DISPLAY READING
1	2 mA	+1.9 mA	1.885 to 1.915
2	20 mA	-19 mA	-18.85 to -19.15
3	200 mA	+190 mA	188.5 to 191.5
4	2000 mA	+1900 mA	1885 to 1915

6. Select the 200 mV AC range on the 8022B.
7. Set the output of the AC Calibrator to 190 mV at 100 Hz, and connect it to the 8022B input terminals; V/ Ω and COMMON.
8. Adjust the AC CAL pot (R9) for a display of 190.0 (an occasional flash of ± 1 digit is acceptable).
9. Execute the performance test given earlier to ensure that all fixed range resistors and other non-adjustable components are operating within their specified limits.

4-38. TROUBLESHOOTING

CAUTION

Static discharge can damage MOS components contained in the 8022B.

- 4-39. When troubleshooting or repairing the 8022B use the precautions listed on the Static Awareness sheet to prevent damage from static discharge. Never remove, install or otherwise connect or disconnect components without first setting the 8022B power switch to OFF.
- 4-40. A troubleshooting guide for the 8022B is given in Table 4-6. To properly use the guide complete the performance test given earlier in this section and note any discrepancies. Then locate the heading of the procedure in question in the Test and Symptom column (Table 4-6). Under that heading isolate the symptom that approximates the observed malfunction. Possible causes are listed to the right of the selected symptom. Details necessary to isolate a particular cause can be derived from the theory of operation in Section 3 and the schematic diagram in Section 7.

Table 4-6. Troubleshooting Guide

TEST AND SYMPTOM	POSSIBLE CAUSE
INITIAL PROCEDURE BT is displayed when unit is turned on. Display blank.	Low battery, Q3, U2, U1. (See also operating note for A81 accessory.) Dead battery, power switch, VR2 shorted, U1, Battery Connector
DISPLAY TEST One or more segments will not light through entire test. Decade inoperative or one or more segments always lit.	Display interconnect, display, or A/C Converter U1. U1.

Table 4-6. Troubleshooting Guide (cont)

TEST AND SYMPTOM	POSSIBLE CAUSE
Improper decimal point indication.	Range switches, Z6, U2, or display. (Check signals at U2 to isolate.)
Minus sign improperly displayed.	U1.
Display lit but does not respond to changes in input.	Reference VR1, crystal Y1, A/D Converter U1.
RESISTANCE TEST Displayed reading is out of tolerance on at least one but not all ranges.	Range resistor Z1.
Readings are noisy on all ranges.	Thermistor RT1, R2 open.
Readings are out of tolerance on high ohms.	RJ1, RJ2, RJ3, RJ4 damaged from severe overload.
Residual reading with test leads open.	PCB is contaminated (see cleaning procedure, Section 4.)
DC VOLTAGE TEST Display reading is out of tolerance on 200 mV range.	Out of calibration (DC), Vref (VR1) in error, Z2, U1, S1.
Readings are out of tolerance on all ranges except 200 mV.	Range resistor Z1, Z3, Z4.
Only 200 mV range works - other ranges read 000.	R2 - fusible resistor open.
AC VOLTAGE TEST Displayed reading is out of tolerance on 200 mV range.	Out of calibration (AC), AC converter defective, AR1.
Only 200 mV range works - other ranges read 000.	R2 - fusible resistor open.
Readings are out of tolerance on all ranges except 200 mV.	Z1, Z3, Z4, AR1.

Table 4-6. Troubleshooting Guide (cont)

TEST AND SYMPTOM	POSSIBLE CAUSE
<p>DC CURRENT TEST Input does not affect display.</p> <p>Displayed reading is out of tolerance on one or more ranges.</p>	<p>Fuse F1 and/or F2 open, CR1, CR2.</p> <p>If 2000 mA and 200 mA ranges are okay, Z3 is defective. Otherwise Z4 is defective.</p>
<p>CALIBRATION DC CAL pot at limit.</p> <p>AC CAL pot at limit.</p>	<p>VR1, Z2, or R5.</p> <p>Z5, CR3, CR4, R9, AR1, dc calibration incorrect.</p>

Section 5

List of Replaceable Parts

5-1. INTRODUCTION

5-2. This section contains an illustrated parts breakdown of the instrument. A similar parts listing for each of the options will be found in Section 6. Components are listed alphanumerically by assembly. Both electrical and mechanical components are listed by reference designation. Each listed part is shown in an accompanying illustration.

5-3. Parts lists include the following information:

1. Reference Designation.
2. Description of each part.
3. FLUKE Stock Number.
4. Federal Supply Code for Manufacturers. (See Table 5-4 for Code-to-Name list.)
5. Manufacturer's Part Number.
6. Total Quantity per assembly or component.
7. Recommended Quantity: This entry indicates the recommended number of spare parts necessary to support one to five instruments for a period of two years. This list presumes an availability of common electronic parts at the maintenance site. For maintenance for one year or more at an isolated site, it is recommended that at least one of each assembly in the instrument be stocked. In the case of optional subassemblies, plug-ins, etc., that are not always part of the instrument, or are deviations from the basic instrument model, the REC QTY column lists the recommended quantity of the item in that particular assembly.

5-4. HOW TO OBTAIN PARTS

5-5. Components may be ordered directly from the manufacturer by using the manufacturer's part number, or from the John Fluke Mfg. Co., Inc. factory or authorized representative by using the FLUKE STOCK NUMBER. In the event the part you order

has been replaced by a new or improved part, the replacement will be accompanied by an explanatory note and installation instructions if necessary.

5-6. To ensure prompt and efficient handling of your order, include the following information.

1. Quantity
2. FLUKE Stock Number
3. Description
4. Reference Designation
5. Printed Circuit Board Part Number
6. Instrument Model and Serial Number

CAUTION



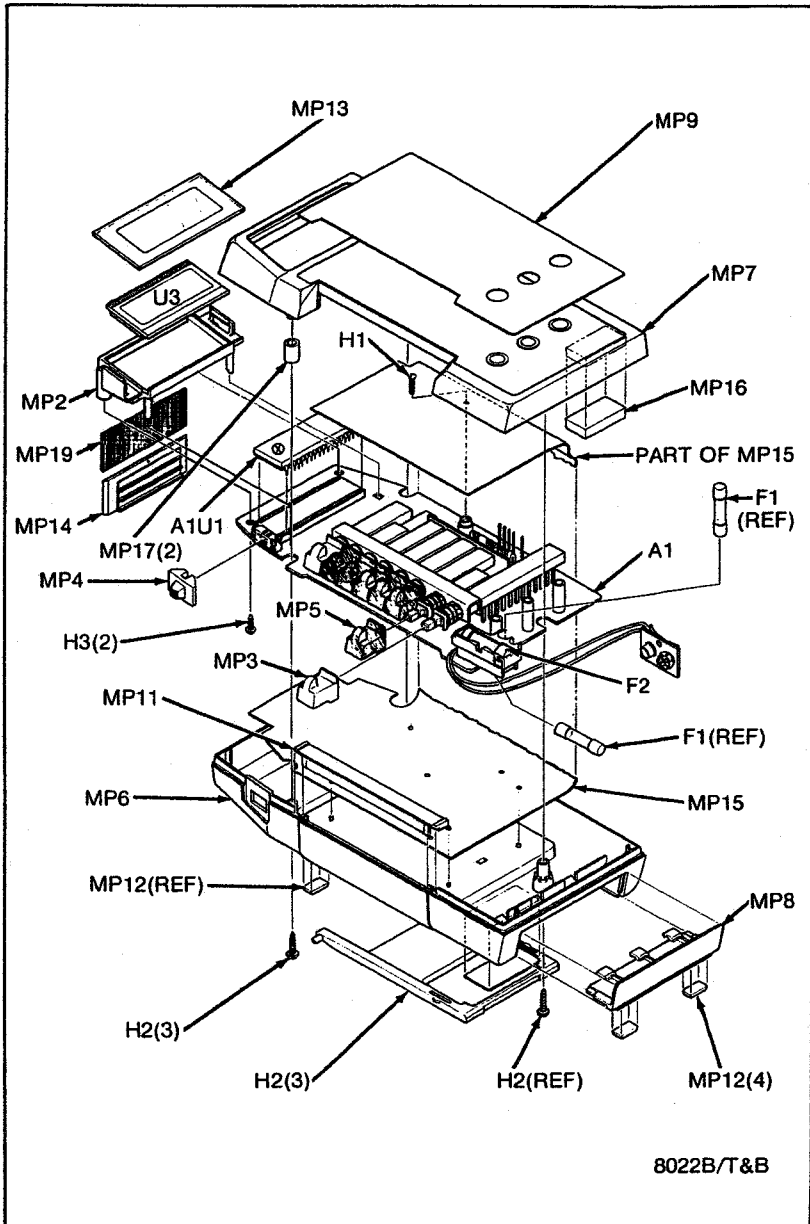
Indicated devices are subject to damage by static discharge.

Table 5-1. 8022B Final Assembly

REF DES	DESCRIPTION	FLUKE STOCK NO.	MFG SPLY CODE	MFG PART NO.	TOT QTY	REC QTY	N O T E
	8022B, FINAL ASSEMBLY FIGURE 5-1(8022B-T/B)	8022B	89536	8022B			
A1	Ø MAIN PCB ASSY				1	1	1
BT1	BATTERY, PRIMARY TYPE 1604, 9V	446823	89536	446823	1		
F1	FUSE, FAST ACTING, 2A	376582	71400	AGX-2	2	10	2
F2	FUSE, FAST ACTING, 3A	475004	71400	EBS-3	1		5
H1	SCREW, PHP, 4-40 X 3/16	129882	89536	129882	1		
H2	SCREW, PHP, 3/4 HI-LO, THD/FORM	447953	89536	447953	3		
H3	SCREW, PHP, 3/8 HI-LO, THD/FORM	448456	89536	448456	2		
MP1	BALL, FOOT	616961	89536	616961	1		
MP2	BRACKET, LCD MOUNTING	531657	89536	531657	1		
MP3	BUTTON, FUNCTION SWITCH (S1, S8)	606889	89536	606889	2		
MP4	BUTTON, POWER SWITCH	456491	89536	456491	1		
MP5	BUTTON, RANGE SWITCH (S2 - S7)	606871	89536	606871	6		
MP6	CASE, BOTTOM	613950	89536	613950	1		
MP7	CASE, TOP	542027	89536	542027	1		
MP8	COVER, BATTERY	613968	89536	613968	1		
MP9	DECAL, CASE TOP	604447	89536	604447	1		
MP11	FLANGE, SWITCH	455881	89536	455881	1		
MP12	FOOT, NON-SKID	604397	89536	604397	4		
MP13	LENS, DISPLAY	606848	89536	606848	1		
MP14	PLATE, LCD BRACKET	531665	89536	531665	1		
MP15	SHIELD	604389	89536	604389	1		

Table 5-1. 8022B Final Assembly (cont)

REF DES	DESCRIPTION	FLUKE STOCK NO.	MFG SPLY CODE	MFG PART NO.	TOT QTY	REC QTY	N O T E
MP16	SHOCK ABSORBER	428441	89536	428441	1		
MP17	SPACER, CASE	458588	89536	458588	2		
MP18	TEST LEADS AND PROBE	516666	89536	516666	1		
MP19	CONNECTOR, ELASTOMETRIC	520858	89536	520858	1		
TM1	8022B MANUAL	616045	89536	616045			
TM2	8022B OPERATOR GUIDE	616755	89536	616755			
U3	LIQUID CRYSTAL DISPLAY	504324	89536	504324	1		
	RECOMMENDED SPARE PARTS KIT, 8022B	653410	89536	653410			
1	REPLACE AT COMPONENT LEVEL ONLY						
2	F1 FUSE, EUROPEAN USAGE: FUSE, 5 X 20 MM, 2A, 250V	460972	75915	212002	2	10	



8022B/T&B

Figure 5-1. 8022B Final Assembly

Table 5-2. A1 Main PCB Assembly

REF DES	DESCRIPTION	FLUKE STOCK NO.	MFG SPLY CODE	MFG PART NO.	TOT QTY	REC QTY	N O T E
A1	① MAIN PCB ASSEMBLY FIGURE 5-2 (8022B-4001)				REF		1
AR1	IC, LINEAR, OP AMP	418566	89536	418566	1	1	
C1	CAP, CER, 500 PF +/-10%, 1000V	105692	71590	2DDH60N501K	1		
C3	CAP, ELECT 22 UF +/-20%, 6.3V	614016	89536	614016	1		2
C3	CAP, ELECT, 22 UF +/-20%, 16V	614750	89536	614750			
C4	CAP, POLYPROP, 0.047 UF +/-10%, 100V	446773	89536	446773	2		
C5	CAP, POLYPROP, 0.10 UF +/-10%, 100V	446781	89536	446781	1		
C6	CAP, NYLAR, 0.22 UF +/-10%, 100V	436113	73445	C280MAH/A220K	1		
C7	CAP, POLYPROP, 0.047 UF +/-10%, 100V	446773	89536	446773	REF		
C8	CAP, POLYESTER, 0.022 UF +/-10%, 1000V	448183	52763	MKT. 1822 322/10	1		
C9	CAP, ELECT, 15 UF +/-20%, 35V	614024	89536	614024	1		2
C9	CAP, ELECT, 22 UF +/-20%, 16V	614750	89536	614750	REF		
C11	CAP, CER, 0.22 UF +/-20%, 50V	519157	51406	RPE111Z5U24M50V	1		
CR1	DIODE, SI, RECTIFIER	347559	14099	3SM05	2	1	
CR2	DIODE, SI, RECTIFIER	347559	05277	1N5400	REF		
CR3	DIODE, SI, HI-SPEED SWITCH	203323	07910	1N4448	4	1	
CR4	DIODE, SI, HI-SPEED SWITCH	203323	07910	1N4448	REF		
CR5, CR6	DIODE, SI, HI-SPEED SWITCH	203323	07910	1N4448	REF		
J4	CONNECTOR, DC POWER	423897	89536	423897	1		
J5	JACK, DC POWER, PC MOUNT	535278	89536	535278	1		
MP1	FUSE SPRING (F2)	535211	89536	535211	1		
MP2	FUSE CAP (F2)	540716	89536	540716	1		
MP3	FUSE CLIP (F2)	535203	89536	535203	1		

Table 5-2. A1 Main PCB Assembly (cont)

REF DES	DESCRIPTION	FLUKE STOCK NO.	MFG SPLY CODE	MFG PART NO.	TOT QTY	N		
						REC	QTY	E
MP4	FUSE CLIP (F2)	534925	89536	534925	1			
P1-P5	POST, CONNECTOR	603910	89536	603910	5			
Q1	TRANSISTOR, SI, NPN	218396	04713	2N3904	3			
Q2	TRANSISTOR, SI, NPN	218396	04713	2N3904	REF			
Q3	TRANSISTOR, SI, NPN	218396	04713	2N3904	REF			
R1	RES, COMP, 100K +/-10%, 1W	109397	01121	GB1041	1			
R2	RES, WW, 1K +/-10%, 2W	474080	89536	474080	1			
R3	RES, DEP. CAR, 200K +/-5%, 1/4W	441485	80031	CR251-4-5P200K	1			
R4	RES, DEP. CAR, 220K +/-5%, 1/4W	348953	80031	CR251-4-5P220K	1			
R5	RES, VAR, 500 +/-20%, 0.3W	603746	51406	RVS0707-V-100-3-501M	1			
R6	RES, COMP, 1M +/-10%, 1W	109793	01121	GB1051	1			
R7	RES, DEP. CAR, 10K +/-5%, 1/4W	348839	80031	CR251-4-5P10K	1			
R8	RES, DEP. CAR, 2.2M +/-5%, 1/4W	342659	80031	CR251-4-5P242	1			
R9	RES, VAR, 300 +/-20%, 0.3W	614040	51406	RVS0707-V-100-3-301M	1			
R10	RES, DEP. CAR, 1M +/-5%, 1/4W	348987	80031	CR251-4-5P1M	1			
RJ1	VARISTOR, 430V +/-10%	447672	09214	V430MA7B	4			1
RJ2	VARISTOR, 430V +/-10%	447672	09214	V150LAX827	REF			
RJ3	VARISTOR, 430V +/-10%	447672	09214	V150LAX827	REF			
RJ4	VARISTOR, 430V +/-10%	447672	09214	V150LAX827	REF			
RT1	THERMISTOR	446849	50157	180QT0200	1			
S1-S8	SWITCH ASSEMBLY, PUSHBUTTON	453647	89536	453647	1			
S9	SWITCH, SLIDE, SPDT, 125V	453365	79727	G1-116-0001 G20-52	1			1
U1	⊙IC, C-MOS, A-D CONV	429100	89536	429100	1			1
U2	⊙IC, COS/MOS, QUAD EXCLUSIVE-OR GATE	355222	18733	CD4030AE	1			1
VR1	⊙IC, LINEAR, LO-VOLT REF (SELECTED)	452771	89536	452771	1			1

Table 5-2. A1 Main PCB Assembly (cont)

REF DES	DESCRIPTION	FLUKE STOCK NO.	MFG SPLY CODE	MFG PART NO.	TOT QTY	REC QTY	N O T E	
VR2	DIODE, ZENER, 12V	113456	04713	1N963A	1			
XU1	SOCKET, IC, 40-PIN	429282	09922	DILB40P-108	1			
Y1	CRYSTAL, 3.2 MHZ	513937	89536	513937	1	1		
Z1	RESISTOR NETWORK	424085	89536	424085	1	1		
Z2	RESISTOR NETWORK	447680	89536	447680	1	1		
Z3	RESISTOR NETWORK	447706	89536	447706	1	1		
Z4	RESISTOR NETWORK	435727	89536	435727	1	1		
Z5	RESISTOR NETWORK	447698	89536	447698	1	1		
Z6	RESISTOR NETWORK	447714	89536	447714	1	1		
1	REPLACE AT COMPONENT LEVEL ONLY							
2	C3, C9: EITHER VALUE MAY BE INSTALLED ON THIS ASSEMBLY							

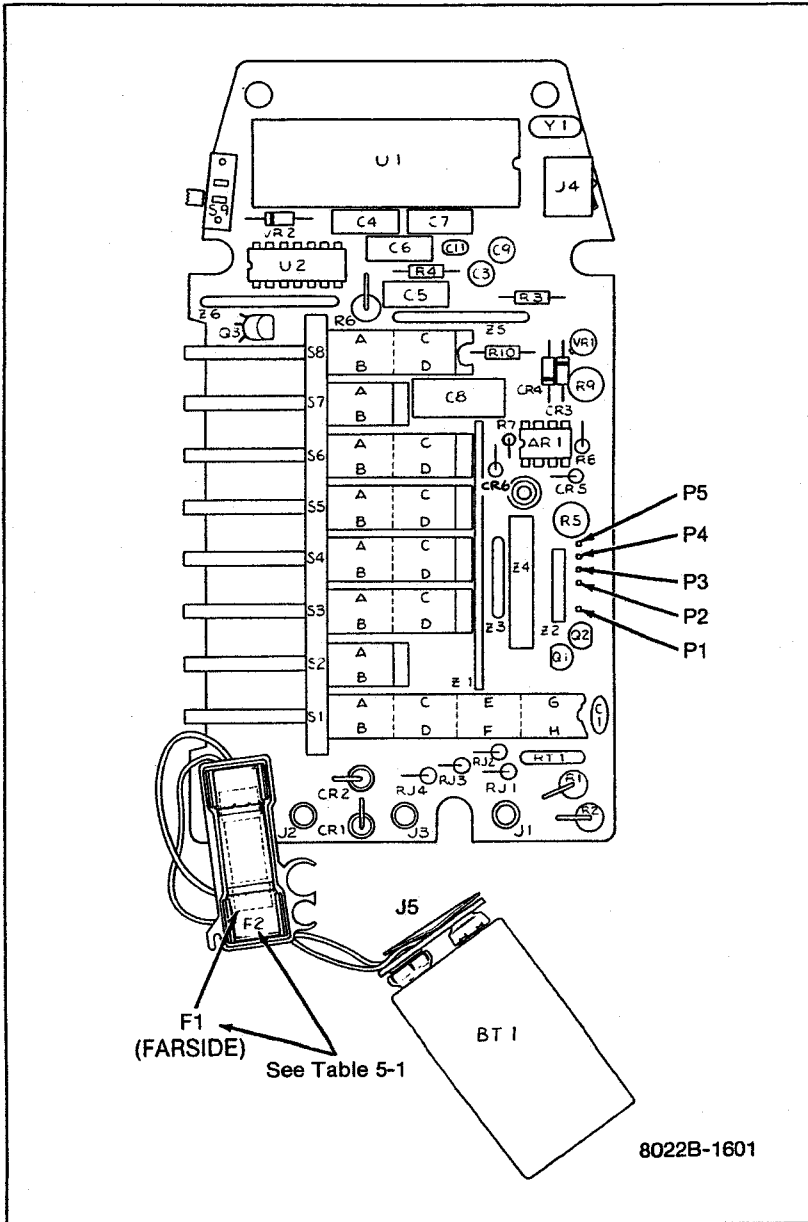


Figure 5-2. A1 Main PCB Assembly

Table 5-3. Federal Supply Codes for Manufacturers

01121 Allen-Bradley Co. Milwaukee, Wisconsin	22526 DuPont, El DeNemours & Co. Inc. Berg Electronics Div. New Cumberland, Pennsylvania
02735 Replaces 18725 RCA - Solid State Div. Somerville, New Jersey	30035 Jol Industries Inc. Garden Grove, California
04713 Motorola Inc. Semiconductor Group Phoenix, Arizona	50157 Midwest Components Inc. Muskegon, Mississippi
05277 Westinghouse Electric Corp. Semiconductor Division Youngwood, Pennsylvania	51404 Corning Glass Works Medical & Scientific Instruments Medfield, Maryland
07263 Fairchild Camera & Instrument Corp. Semiconductor Division Mountain View, California	51406 Murata Corporation of America Marietta, Georgia
07910 Replaced by 15818	52763 Stettner-Trush Inc. Cazenovia, New York
09214 General Electric Co. Semiconductor Products Power Component Operation Auburn, New York	56289 Sprague Electric Co. North Adams, Massachusetts
09922 Burdny Corp. Norwalk, Connecticut	71400 Bussman Manufacturing Div. of McGraw-Edison Co. St. Louis, Missouri
12040 National Semiconductor Corp. Danbury, Connecticut	71590 Centrelab Electronics Div. of Globe Union Inc. Milwaukee, Wisconsin
14099 Semtech Corp. Newbury Park, California	72136 Electro Motive Mfg. Co. Florence, South Carolina
15818 Teledyne Semiconductors Formerly Amelco Semiconductor Mountain View, California	72982 Erie Technical Products Inc. Erie, Pennsylvania
18736 Volttronics Corp. Hanover, New Jersey	73445 Amperex Electronic Corp. Hicksville, New York
19647 Caddock Electronics Inc. Riverside, California	75915 Littlefuse Inc. Des Plaines, Illinois

Table 5-3. Federal Supply Codes for Manufacturers (cont)

79727
C - W Industries
Warminster, Pennsylvania

80031
Mepco/Electra Corp.
Morristown, New Jersey

84411
TRW Electronic Components
TRW Capacitors
Ogallala, Nebraska

89536
John Fluke Manufacturing Co., Inc.
Everett, Washington

Section 6

Accessory Information

6-1. INTRODUCTION

6-2. This section of the manual contains information concerning the accessories available for use with the Model 8022B Digital Multimeter (there are no options available at this time). Each accessory, as shown in Figure 6-1, is described in general terms under a separate major heading containing the accessory model number. The depth of detail is intended to give the prospective user an adequate first acquaintance with the features and capabilities of each accessory. Additional information, when necessary, is supplied with the accessory.

6-3. DELUXE CARRYING CASE (C90)

6-4. The C90 Deluxe Carrying Case is a pliable, vinyl, zipper-closed pouch that provides in-field-transport protection for the 8022B as well as convenient storage locations for test leads, operator guide, and other small accessories. A finger- or belt-loop is included on the case as a carrying convenience.

6-5. TEMPERATURE PROBES (80T-150C and 80T-150F)

6-6. Introduction

6-7. The 80T-150 Temperature Probes convert the instrument into a direct-reading (1 mV dc/°) °C (80T-150C) or °F (80T-150F) thermometer. It is ideally suited for surface, ambient, and liquid measurements and lends itself easily to a wide range of design, troubleshooting, and evaluation applications. A rugged, fast-responding probe-tip with a 350V dc standoff makes the 80T-150 one of the most versatile and easy-to-use temperature probes available.

6-8. Specifications

RANGE (°C/°F) (field selectable by internal jumpers)	-50°C to +150°C or -58°F to 302°F
ACCURACY	±1°C (1.8°F) from 0°C to 100°C, decreasing linearly to ±3°C (5.4°F) at -50°C and +150°C
RESOLUTION	0.1°C on 200 mV range
VOLTAGE STANDOFF	350V dc or peak ac
POWER	Internal disposable battery; 1,000 hours of continuous use

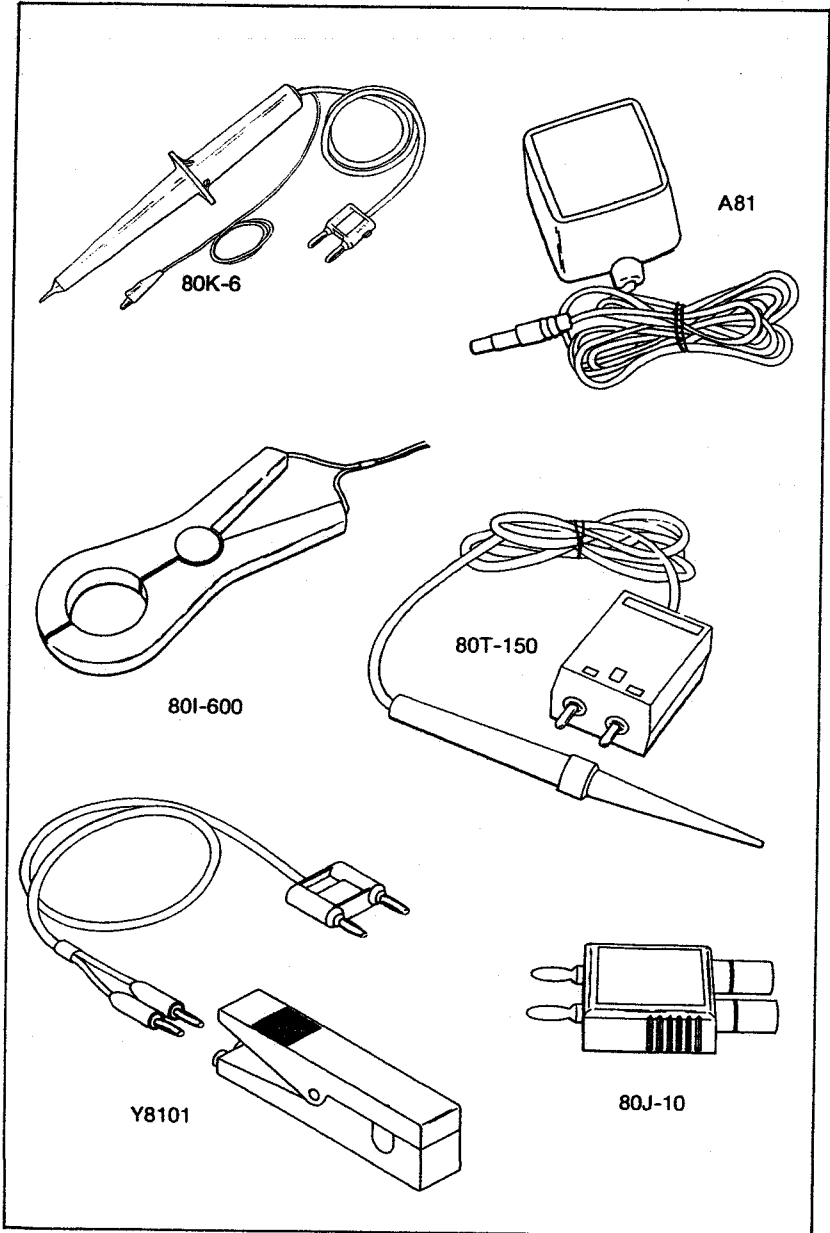


Figure 6-1. 8022B Accessories

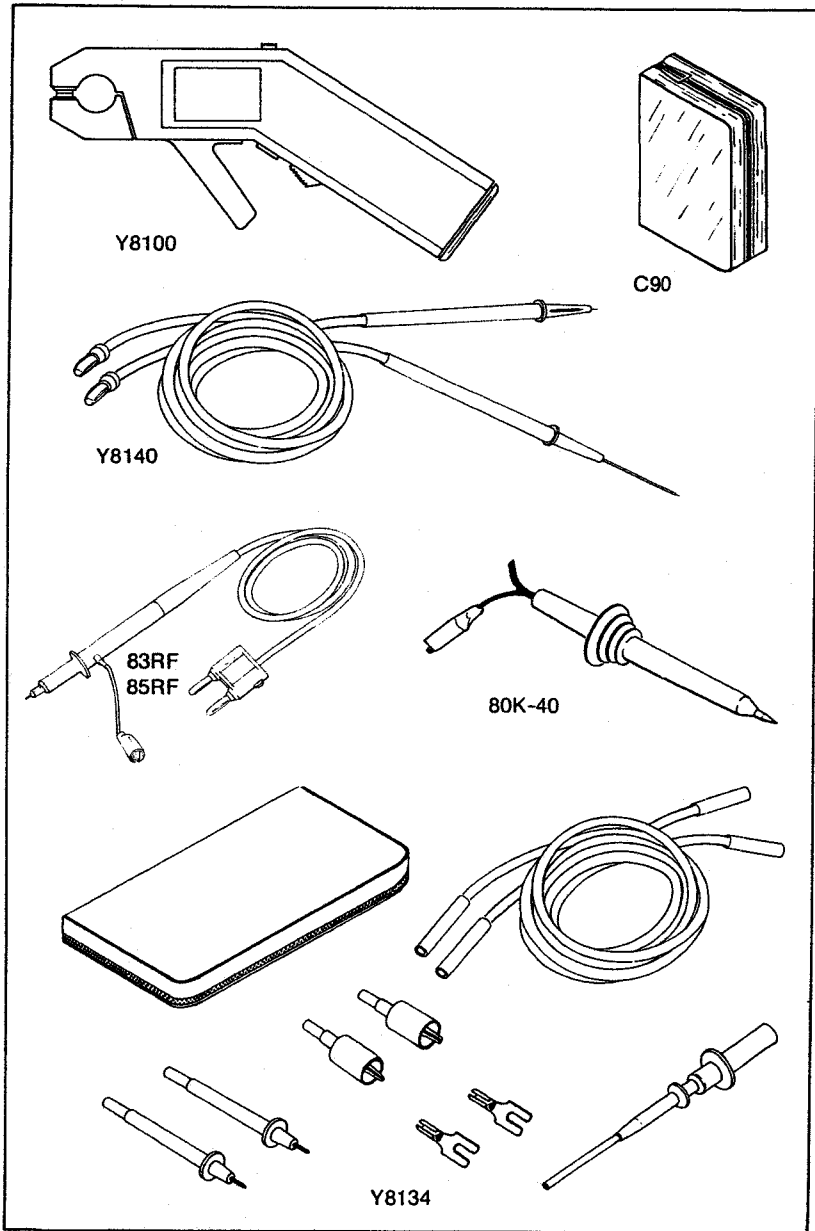


Figure 6-1. 8022B Accessories (cont)

6-9. CURRENT TRANSFORMER (80I-600)**6-10. Introduction**

6-11. The Model 80I-600 extends the maximum 2A ac current measuring capability of the instrument up to a maximum of 600 amps. A clamp-on transformer designed into the probe allows measurements to be made without breaking the circuit under test. In use, the current carrying conductor being measured serves as the transformer's primary, while the 80I-600 serves as the secondary. Because of a high efficiency, quadrature type of winding, wire size and location of the conductor within the transformer jaws do not affect accuracy of the current measurement.

6-12. Specifications

RANGE	1 to 600A ac
ACCURACY	$\pm 3\%$
FREQUENCY RESPONSE	30 Hz to 1 kHz, 10 kHz typical
DIVISION RATIO	1000:1
INSULATION	5 kV
MAXIMUM CONDUCTOR SIZE	2-inch diameter

6-13. HIGH VOLTAGE PROBE (80K-6)**6-14. Introduction**

6-15. The 80K-6 is a high voltage probe designed to extend the voltage measuring capability of an ac/dc voltmeter to 6000 volts. A 1000:1 voltage divider provides the probe with a high input impedance. The divider also provides high accuracy when used with a voltmeter having a 10 megohm input impedance. A molded plastic body houses the divider and protects the user from the voltage being measured.

6-16. Specifications

VOLTAGE RANGE	0 to 6 kV, dc or peak ac
INPUT IMPEDANCE	75 megohms nominal
DIVISION RATIO	1000:1
ACCURACY	
DC to 500 Hz	$\pm 1\%$
500 Hz to 1 kHz	$\pm 2\%$
Above 1 kHz	Output reading falls. Typically, -30% at 10 kHz.

6-17. HIGH VOLTAGE PROBE (80K-40)**6-18. Introduction**

6-19. The Model 80K-40 extends the voltage measurement capability of the instrument up to 40 kV. Internally, the probe contains a special 1000:1 resistive divider. Metal-film resistors with matched temperature coefficients comprise the divider, and provide the probe with its excellent accuracy and stability characteristics. Also, an unusually high input impedance (1000 M Ω) minimizes circuit loading, and thereby contributes to measurement accuracy.

6-20. Specifications

VOLTAGE RANGE	1 kV to 40 kV dc or peak ac, 28 kV rms ac
INPUT RESISTANCE	1000 M Ω
DIVISION RATIO	1000:1

ACCURACY DC (OVERALL) ... 20 kV to 30 kV $\pm 2\%$ (calibrated at 25 kV)
 UPPER LIMIT Changes linearly from 2% at 30 kV to 4% at 40 kV
 LOWER LIMIT Changes linearly from 2% at 20 kV to 4% at 1 kV
 ACCURACY AC (OVERALL) ... $\pm 5\%$ at 60 Hz

6-21. HIGH FREQUENCY PROBE (83RF)

6-22. Introduction

6-23. The 83RF Probe extends the frequency range of the DMM's voltage measurement capability to include 100 kHz to 100 MHz inputs from 0.25 to 30V rms. The probe operates in conjunction with the instrument's dc voltage ranges, and provides a dc output that is calibrated to be equivalent to the rms value of a sine wave input.

6-24. Specifications

FREQUENCY RESPONSE ± 1 dB from 100 kHz to 100 MHz (relative to ac/dc transfer ratio)

AC-TO-DC TRANSFER RATIO
 (23 $\pm 5^\circ$ C)

RMS Input (100 kHz)	DC Output
0.25 - 0.5V	0.25 - 0.5V ± 1.5 dB
0.5 - 2.0V	0.5 - 2.0V ± 0.5 dB
2.0 - 30V	2.0 - 30V ± 1.0 dB

EXTENDED FREQUENCY
 RESPONSE Useful for relative readings from 20 kHz to 250 MHz.

RESPONSE Responds to peak value of input; calibrated to read the rms value of a sine wave.

VOLTAGE RANGE 0.25 to 30V dc

MAXIMUM DC INPUT 200V dc

TEMPERATURE COEFFICIENT
 (0 to 18°C, 28 to 50°F) ± 0.1 of ac-to-dc transfer ratio specifications per °C

INPUT CAPACITANCE < 5 pF

6-25. HIGH FREQUENCY PROBE (85RF)

6-26. Introduction

6-27. The Model 85RF High Frequency Probe allows measurements over a frequency range of 100 kHz to 500 MHz from .25V to 30V rms. It operates in conjunction with the DMM's dc voltage ranges, and provides a dc output that is calibrated to be equivalent to the rms value of a sine wave input.

6-28. Specifications

FREQUENCY RESPONSE

100 kHz to 100 MHz	± 0.5 dB
100 MHz to 200 MHz	± 1.0 dB
200 MHz to 500 MHz	± 3.0 dB

EXTENDED FREQUENCY
 RESPONSE Useful for relative readings from 20 kHz to 700 MHz.

RESPONSE	Responds to peak value of input; calibrated to read rms value of a sine wave.
VOLTAGE RANGE	0.25V dc to 30V rms
MAXIMUM DC INPUT	200V dc
INPUT CAPACITANCE	<5 pF
AC-TO-DC TRANSFER RATIO .	1:1
RATIO ACCURACY	0.5 dB at 10 MHz

6-29. BATTERY ELIMINATOR (A81)

6-30. The A81 Battery Eliminator converts the 8022B from battery to ac-line operation. It is available in a variety of line-power configurations, as shown in Table 6-1. When connected to the 8022B it effectively removes and replaces the output of the 8022B battery. The battery does not need to be removed from the circuit.

WARNING

DO NOT SUBSTITUTE A CALCULATOR TYPE BATTERY ELIMINATOR FOR THE A81. THESE UNITS DO NOT PROVIDE THE PROTECTION NECESSARY FOR COMMON MODE MEASUREMENTS UP TO 500V DC. ALWAYS USE THE MODEL A81 FOR AC-LINE OPERATION.

NOTE

The "BT" indicator may come on when using the A81. This does not affect the operation of the 8022B.

6-31. CURRENT SHUNT (80J-10)

6-32. Introduction

6-33. The Model 80J-10 Current Shunt extends the current measuring capability of the DMM to 10 amps continuous (20 amps for periods not exceeding one minute) dc to 10 kHz at an accuracy of $\pm 0.25\%$ in excess of the voltmeter accuracy.

Table 6-1. A81 Model vs Input Power

MODEL NO.	INPUT POWER
A81-100	100V ac $\pm 10\%$, 48 to 62 Hz
A81-115	115V ac $\pm 10\%$, 48 to 62 Hz
A81-230-1	230V ac $\pm 10\%$, 48 to 62 Hz (U.S. type plug)
A81-230	230V ac $\pm 10\%$, 48 to 62 Hz (European type plug)

6-34. Specifications

SHUNT	10 amps at 100 mV
ACCURACY (18°C to 28°C)	
DC to 10 kHz	±0.25%
10 kHz-100 kHz	Rising to 1 dB at 100 kHz typical
TEMPERATURE COEFFICIENT	0.005%/°C
INDUCTANCE	8.3 nH in series w/0.01Ω shunt
OVERLOAD	Up to one minute at 20A with a 1/4 duty cycle for recovery after currents between 10A and 20A
CONNECTS TO	3/4 inch center banana jacks
CONNECTORS	5-way binding posts (red and black)

6-35. AC/DC CURRENT PROBE (Y8100)**6-36. Introduction**

6-37. The Fluke Y8100 AC/DC Current Probe is a clamp-on probe that is used with a voltmeter, multimeter, or oscilloscope to read dc, ac, or composite (ac on dc) currents. The jaws on the Y8100 are designed to clamp around conductors up to 3/4 inch in diameter. The pistol shape allows safe, easy, one-hand operation when making current measurement. The Model Y8100 probe is battery powered with size AA cells. It measures current to 200A dc or ac rms using almost any voltmeter. Two ranges, 20A and 200A, produce a 2V output at full-range current.

6-38. Specifications

RANGES	20A ac or dc 200A ac or dc
RATED OUTPUT	2V at full range
ACCURACY	
DC to 200 Hz	±2% of range
200 Hz to 1 kHz	<100A add ±3% reading >100A add ±6% reading
CALIBRATION CYCLE	1 year
FREQUENCY RESPONSE	dc to 1.0 kHz
RECOMMENDED LOAD	≥3.0 kΩ
TEMPERATURE RANGE	+15°C to +35°C; for specified accuracy -10°C to +50°C; storage and operation at reduced accuracy.
HEATING LIMITATION	Prolonged operation above 200A ac or 1 kHz can cause damage to the Y8100.
WORKING VOLTAGE RATING	Core to output; 600V dc or 480V ac maximum output to ground; 42V dc or 30V ac
APERTURE SIZE	3/4" (19 mm) diameter
SIZE-OVERALL	9" x 4-1/2" x 1-7/16" (230 mm x 115 mm x 37 mm)
WEIGHT	14 ounces (0.4 kg), with batteries
POWER	Battery, four AA cells
BATTERY LIFE	Alkaline-20 hours continuous

6-39. AC CURRENT TRANSFORMER (Y8101)**6-40. Introduction**

6-41. The Model Y8101 (Figure 6-1) is a small clamp-on current transformer designed to

extend the current measuring capability of an ac current meter up to 150 amperes. A clamp-on coil designed into the probe allows measurements to be made without breaking the circuit under test. This coil serves as the secondary of a 1:1000 transformer. The current-carrying conductor being measured serves as the primary.

6-42. Specifications

CURRENT RANGE	2A to 150A
ACCURACY, (48 Hz TO 10 kHz) .	$\pm 2\%$, 10A to 150A $\pm 8\%$, 2A to 10A
DIVISION RATIO	1000:1
WORKING VOLTAGE	300V ac rms maximum
INSULATION DIELECTRIC	
WITHSTAND VOLTAGE	3 kV rms
MAXIMUM CONDUCTOR SIZE .	7/16" (1.11 cm)

6-43. SAFETY DESIGNED TEST LEAD SET (Y8132)

6-44. This test lead set is equivalent to the set originally supplied with the 8022B multimeter. The set includes one red and one black test lead. Each probe has an anti-slip shoulder near the test tip and is connected to the multimeter via a safety-designed shrouded banana connector. This set will fit John Fluke instruments with safety-designed input jacks.

6-45. DELUXE TEST LEAD SET (Y8134)

6-46. The Y8134 is a deluxe test lead set. The attachments provided allow interconnection with a wide variety of leads and electronic components. Included in the kit are:

1. Two test leads (one red and one black). The Y8134 leads have shrouded banana connectors on each end.
2. Two test probes
3. Two insulated alligator clips
4. Two spade lugs
5. One squeeze hook
6. One test lead pouch
7. One instruction sheet

6-47. SLIM FLEX TEST LEAD SET (Y8140)

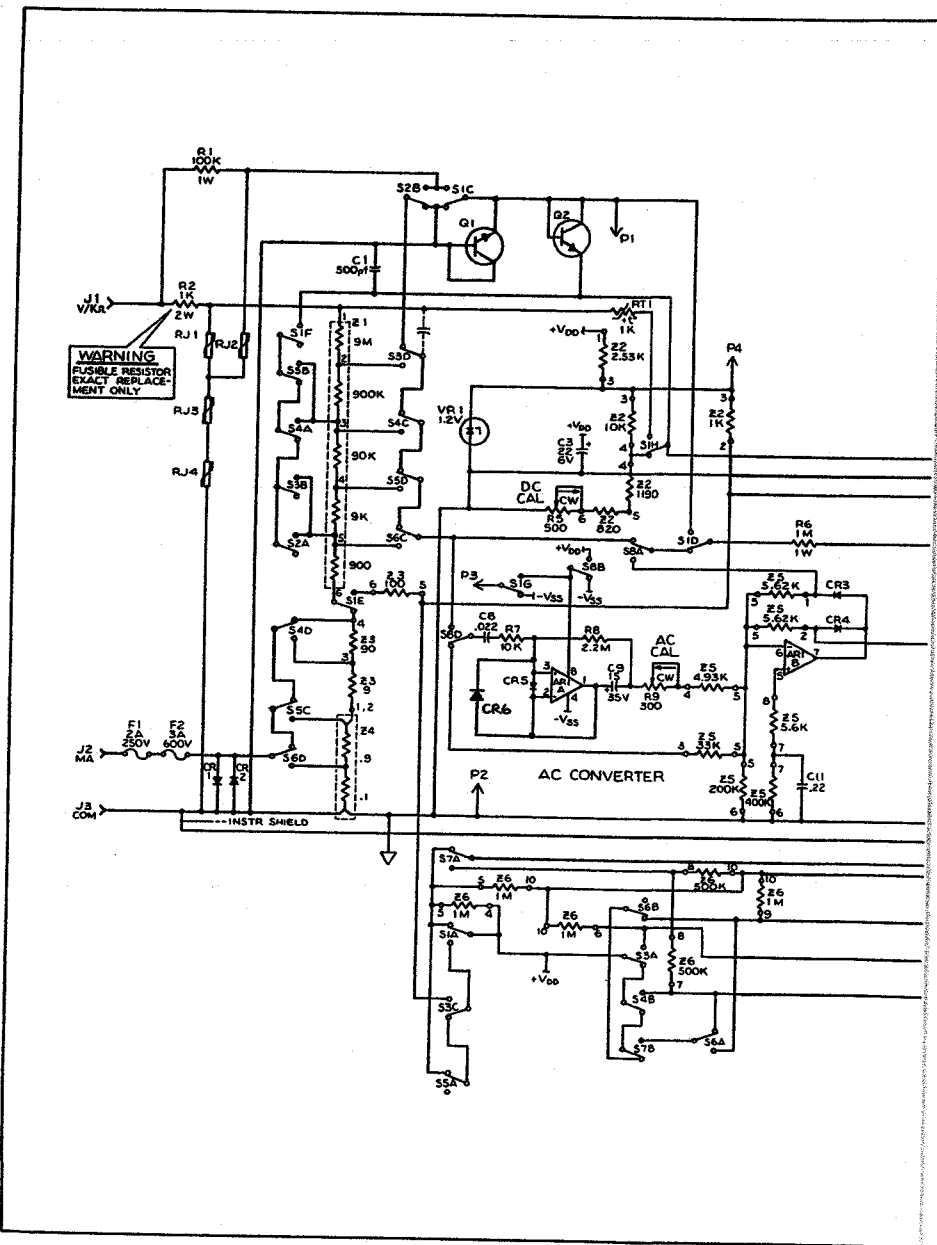
6-48. The Y8140 Test Lead Set (Figure 6-1) consists of one red and one black 60-inch (1.52 meter) test lead, each with a standard banana plug on one end and an extendable tip probe on the other end. The flexible metallic tip conductor may be extended up to 2-1/2 inches, and is insulated to within 1/10 of an inch of its tip. This insulation reduces the chance of creating an inadvertent short circuit while using the probes in their extended configuration. Intended primarily for measuring voltages, the Y8140 leads may also be used for measuring modest currents.

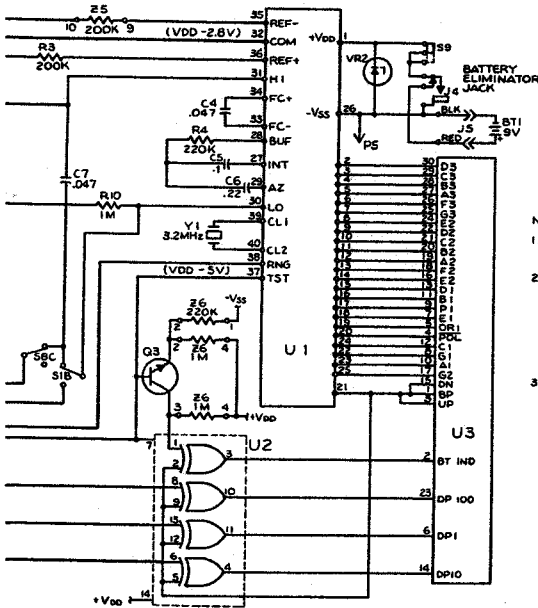
Section 7

Schematic Diagrams

TABLE OF CONTENTS

FIGURE	TITLE	PAGE
7-1	A1 Main PCB Assembly	7-2
7-2	U1 and U3, A/D Converter and Display	7-6





- NOTES: UNLESS OTHERWISE SPECIFIED
1. ALL RESISTOR VALUES ARE IN OHMS (Ω).
ALL CAPACITOR VALUES ARE IN MICROFARADS (μF).
 2. REFERENCE DESIGNATIONS
- | HIGHEST | NOT USED |
|--------------|----------|
| S9, F2, CR5, | C2, I0 |
| U5, AR1, | |
| Y1, C1, VR2, | |
| BT1, JS, Q3, | |
| RJA, RT1, | |
| RI0, EG, | |
3. S1 = KΩ S6 = 2K
S2 = Ω S7 = 20MEG
S3 = Ω S8 = AC-DC
S4 = 20 S9 = POWER ON-OFF
S5 = 100

Figure 7-1. A1 Main PCB Assembly

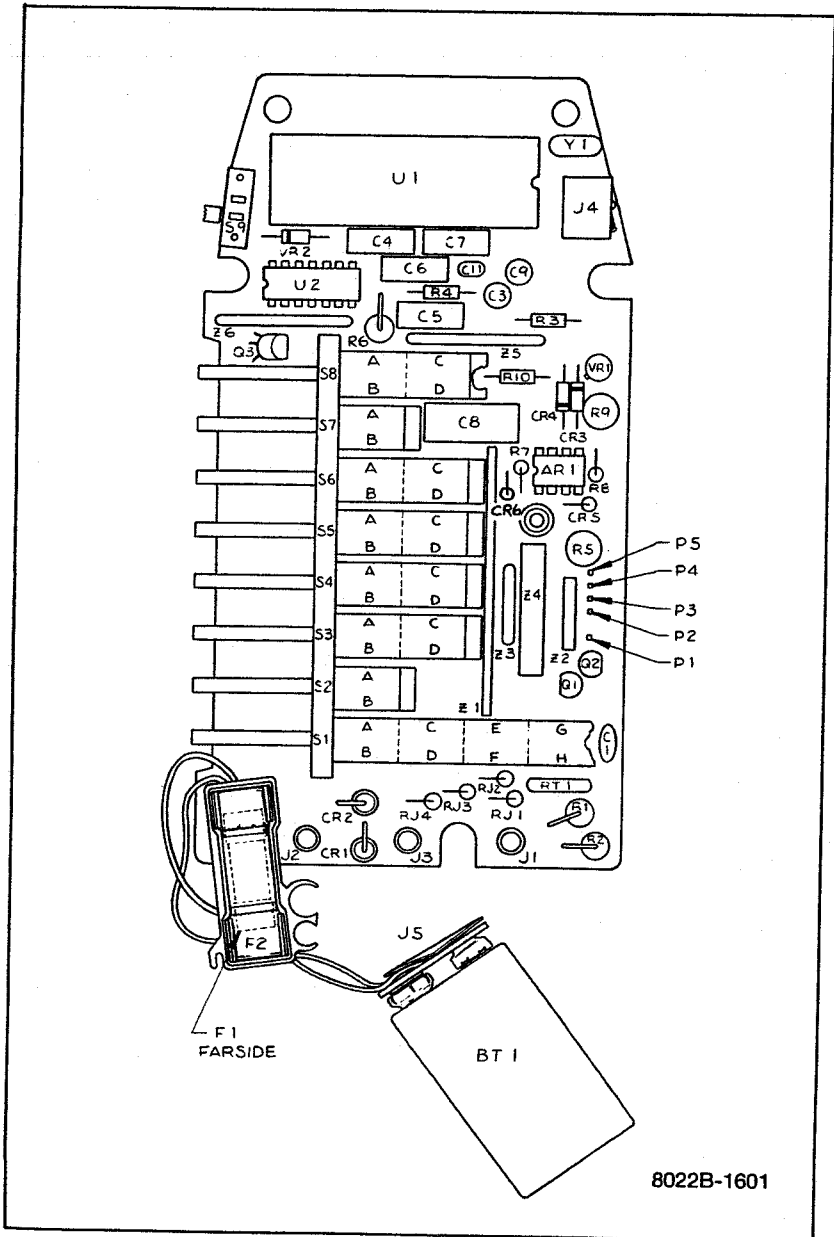
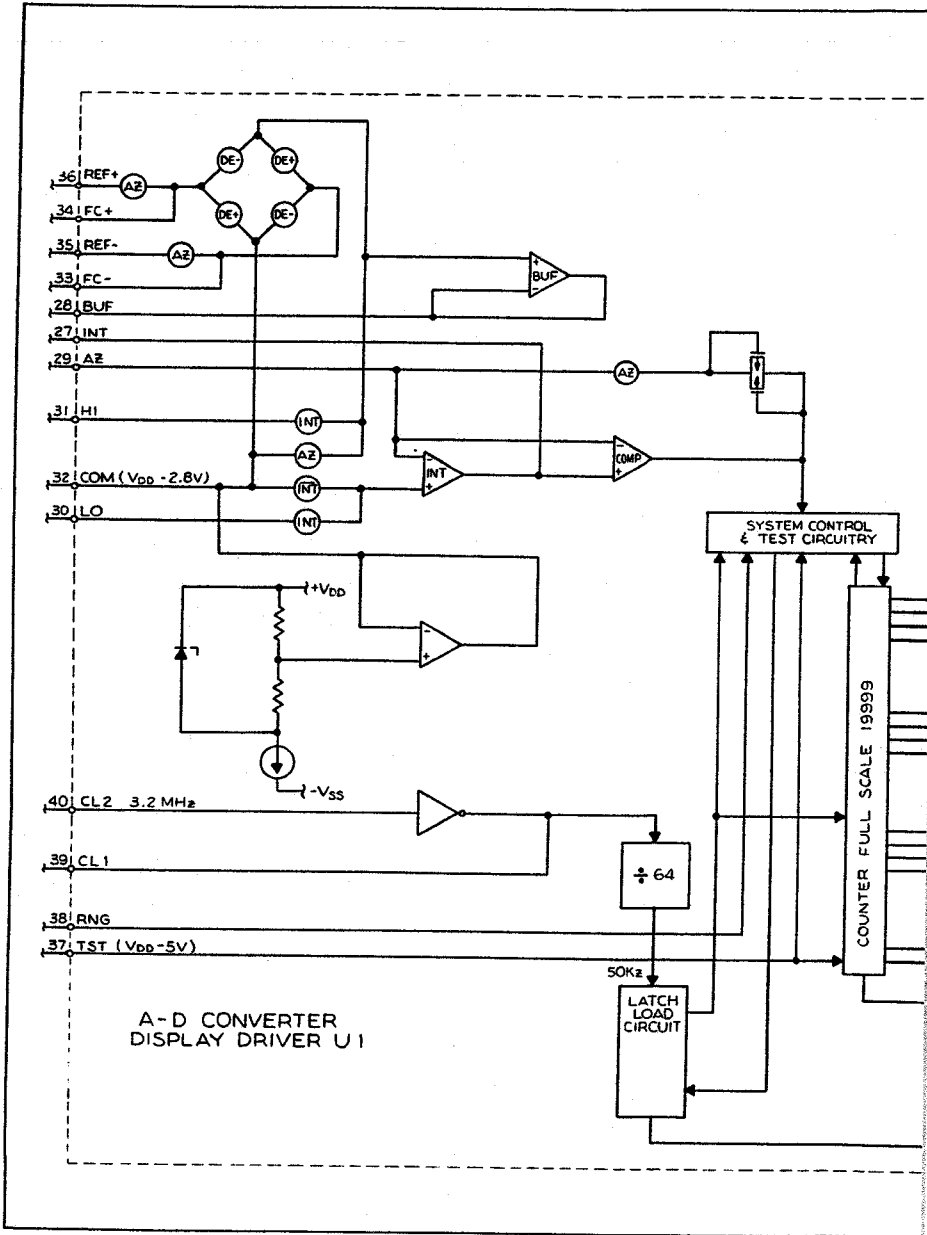


Figure 7-1. A1 Main PCB Assembly (cont)

8022B



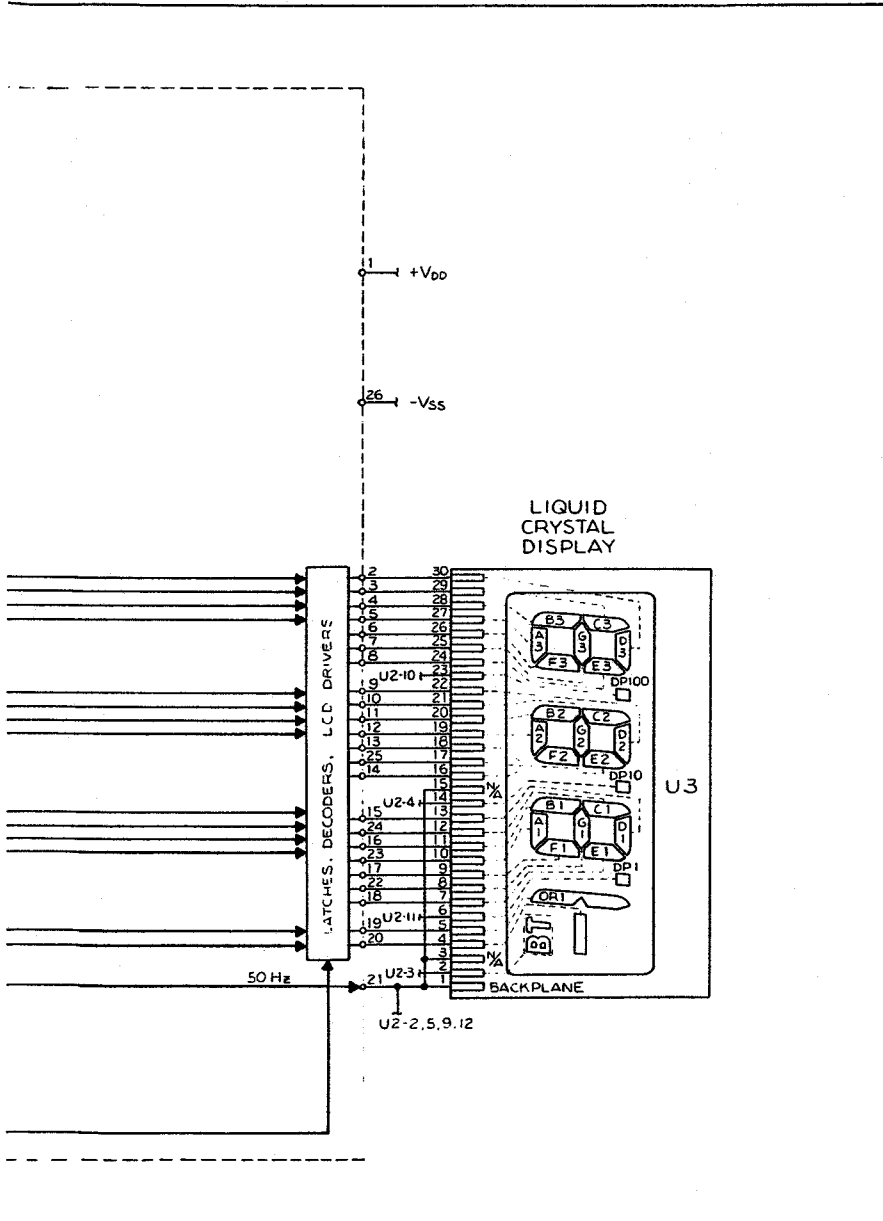


Figure 7-2. U1 and U3, A/D Converter and Display

WARRANTY

Notwithstanding any provision of any agreement the following warranty is exclusive:

The JOHN FLUKE MFG. CO. INC., warrants each instrument is manufactures to be free from defects in material and workmanship under normal use and service for the period of 2 years from date of purchase. This warranty extends only to the original purchaser. This warranty shall not apply to fuses, disposable batteries (rechargeable type batteries are warranted for 90 days), or any product or parts which have been subject to misuse, neglect, accident, or abnormal conditions of operations.

In the event of failure of a product covered by this warranty, John Fluke Mfg. Co. Inc., will repair and calibrate an instrument returned to an authorized Service Facility within 2 years from date of purchase, provided the warrantor's examination discloses to its satisfaction that the product was defective. The warrantor may, at its option, replace the product in lieu of repair. With regard to any instrument returned within 2 years of the original purchase, said repairs or replacement will be made without charge. If the failure has been caused by misuse, neglect, accident, or abnormal conditions of operations, repairs will be billed at a nominal cost. In such case, an estimate will be substituted before work is started, if requested.

THE FOREGOING WARRANTY IS IN LIEU OF ALL OTHER WARRANTIES, EXPRESS OR IMPLIED, INCLUDING BUT NOT LIMITED TO ANY IMPLIED WARRANTY OF MERCHANTABILITY, FITNESS, OR ADEQUACY FOR ANY PARTICULAR PURPOSE OR USE. JOHN FLUKE MFG. CO. INC., SHALL NOT BE LIABLE FOR ANY SPECIAL, INCIDENTAL, OR CONSEQUENTIAL DAMAGES, WHETHER IN CONTRACT, TORT, OR OTHERWISE.

If any failure occurs, the following steps should be taken:

1. Notify the JOHN FLUKE MFG. CO. INC., or nearest Servicefacility, giving full details of the difficulty, and include the model number, type number, and serial number. On receipt of this information, service data, or shipping instructions will be forwarded to you.
2. On receipt of the shipping instructions, forward the instrument, transportation prepaid. Repairs will be made at the Service Facility and the instrument returned, transportation prepaid.

SHIPPING TO MANUFACTURER FOR REPAIR OR ADJUSTMENT

All shipments of JOHN FLUKE MFG. CO. INC., instruments should be made via United Parcel Service or "Best Way" prepaid. The instrument should be shipped in the original packing carton; or if it is not available, use any suitable container that is rigid and of adequate size, and surrounded with at least four inches of excelsior or similiar shock-absorbing material.

CLAIM FOR DAMAGE IN SHIPMENT TO ORIGINAL PURCHASER

The instrument should be thoroughly inspected immediately upon original delivery to purchaser. All material in the container should be checked against the enclosed packing list. The manufacturer will not be responsible for shortages against the packing sheet unless notified immediately. If the instrument is damaged in any way, a claim should be filed with the carrier immediately. (To obtain a quotation to repair shipment damage, contact the nearest Fluke Technical Center.) Final claim and negotiations with the carrier must be completed by the customer.

The JOHN FLUKE MFG. CO. INC., will be happy to answer all applications or use questions, which will enhance your use of this instrument. Please address your requests or correspondence to: JOHN FLUKE MFG. CO. INC., P.O. BOX C9090, EVERETT, WASHINGTON 98206. ATTN: Sales Dept. For European Customers: Fluke (Holland) B.V., P.O. Box 5053, 5004 EB, Tilburg, The Netherlands.

*For European customers, Air Freight prepaid.

John Fluke Mfg. Co. Inc., P.O. Box C9090, Everett, Washington 98206

Rev. 6/81

U.S. SALES AREAS for all Fluke products

AK, Anchorage

Harry Lang & Associates
1371 Hillcrest Drive #303
Anchorage, AK 99503
(807) 279-4741

AL, Huntsville

John Fluke Mfg. Co., Inc.
3322 S. Memorial Parkway
Suite 96
Huntsville, AL 35801
(205) 881-8220

AZ, Tempe

John Fluke Mfg. Co., Inc.
2125 S. 48th Street
Suite 104
Tempe, AZ 85282
(602) 967-8724
Tucson
(602) 790-9881

CA, Los Angeles

John Fluke Mfg. Co., Inc.
20902 South Bonita St.
Carson, CA 90746
(213) 538-3900
or (714) 761-2449

San Diego

John Fluke Mfg. Co., Inc.
9801 Aero Drive, Suite 290
San Diego, CA 92123
(714) 226-1254

Santa Clara

John Fluke Mfg. Co., Inc.
2300 Walsh Ave., Bldg. K
Santa Clara, CA 95051
(408) 727-0513

Tustin

John Fluke Mfg. Co., Inc.
15445 Red Hill Ave., Suite F
Tustin, CA 92680
(714) 838-8863

CO, Denver

John Fluke Mfg. Co., Inc.
1980 South Quebec St. #4
Denver, CO 80231
(303) 750-1222

CT, Hartford

John Fluke Mfg. Co., Inc.
Glen Locken East
41-C New London Turnpike
Glastonbury, CT 06033
(203) 659-3541

FL, Orlando

John Fluke Mfg. Co., Inc.
940 N. Fern Creek Ave.
Orlando, FL 32803
(305) 896-4881

GA, Atlanta

John Fluke Mfg. Co., Inc.
2700 Oak Rd., Suite 250
Marietta, GA 30067
(404) 953-4747

HI, Honolulu

EMC Corporation
2979 Ualena St.
Honolulu, HI 96819
(808) 938-1338

IA, Iowa City

(319) 354-2811

IL, Chicago

John Fluke Mfg. Co., Inc.
3740 Industrial Ave.
Rolling Meadows, IL 60008
(312) 398-0650

IN, Indianapolis

John Fluke Mfg. Co., Inc.
877 Purdue
Suite 101
Indianapolis, IN 46268
(317) 875-7870

KS, Kansas City

John Fluke Mfg. Co., Inc.
4550 W. 100th St., Suite 130
Shawnee Mission, KA 66211
(913) 381-9800

LA, New Orleans

(504) 455-0814

MA, Burlington

John Fluke Mfg. Co., Inc.
25 "B" Street
Burlington MA 01803
(617) 273-4674

MD, Baltimore

(301) 792-7060
Rockville
John Fluke Mfg. Co., Inc.
5640 Fishers Lane
Rockville, MD 20852
(301) 770-1750

MI, Detroit

John Fluke Mfg. Co., Inc.
13955 Farmington Rd.
Livonia, MI 48154
(313) 522-9140

MN, Bloomington

John Fluke Mfg. Co., Inc.
1801 E. 79th St., Suite 9
Bloomington, MN 55420
(612) 854-5526

MO, St. Louis

John Fluke Mfg. Co., Inc.
2029 Woodland Parkway
Suite 105
St. Louis, MO 63141
(314) 993-3805

NC, Greensboro

John Fluke Mfg. Co., Inc.
1310 Bozman Place
Greensboro, NC 27408
(919) 273-1918

NJ, Paramus

John Fluke Mfg. Co., Inc.
P.O. Box 930
West 75 Century Road
Paramus, NJ 07652
(201) 262-9550

NM, Albuquerque

John Fluke Mfg. Co., Inc.
1108 Alvarado Drive N.E.
Albuquerque, NM 87110
(505) 881-3550

NY, Rochester

John Fluke Mfg. Co., Inc.
4515 Culver Road
Rochester, NY 14622
(716) 323-1400

OH, Cleveland

John Fluke Mfg. Co., Inc.
7830 Freeway Circle
Middleburg Heights, OH 44130
(216) 234-4540

Columbus

(614) 889-5715

Dayton

John Fluke Mfg. Co., Inc.
4756 Fishburg Rd.
Dayton, OH 45424
(513) 233-2238

OR, Portland

John Fluke Mfg. Co., Inc.
18360 S.W. Springfield Lane
Aloha, OR 97007
(503) 642-1342

PA, Philadelphia

John Fluke Mfg. Co., Inc.
1010 West 8th Ave., Suite H
King of Prussia, PA 19406
(215) 265-4040

Pittsburgh

(412) 261-5171

TX, Austin

John Fluke Mfg. Co., Inc.
Creek Gardens, Suite 103
8705 Shoal Creek Blvd.
Austin, TX 78758
(512) 459-3344

Dallas

John Fluke Mfg. Co., Inc.
14400 Midway Road
Dallas, TX 75234
(214) 233-9990

Houston

John Fluke Mfg. Co., Inc.
4240 Blue Bonnet Dr.
Stafford, TX 77477
(713) 491-5995

San Antonio

John Fluke Mfg. Co., Inc.
10417 Guilford
San Antonio, TX 78216
(512) 340-2621

UT, Salt Lake City

John Fluke Mfg. Co., Inc.
5226 So. 300 West, Suite #2
Salt Lake City, UT 84107
(801) 268-8331

WA, Seattle

John Fluke Mfg. Co., Inc.
5020 148th Ave. N.E.
Suite #110
Redmond, WA 98052
(206) 881-9966

Service Center Areas

CA, Burbank (213) 849-4641
CA, Santa Clara (408) 727-8121
CO, Denver (303) 750-1228
FL, Orlando (305) 896-2266
IL, Chicago (312) 398-5800
MA, Burlington (617) 273-4678
MD, Rockville (301) 770-1576
NJ, Paramus (201) 262-9550
TX, Dallas (214) 233-9945
WA, Everett (206) 356-5560

For more information on Fluke products or Sales Offices you may dial (800) 426-0361 toll-free in most of the U.S.A.
From Alaska, Hawaii, or Washington, phone (206) 356-5400. From Canada and other countries phone (206) 356-5500.



John Fluke Mfg. Co., Inc., P.O. Box C9090, Everett, WA 98206
Fluke (Holland) B.V., P.O. Box 5053, 5004 EB, Tilburg, The Netherlands. Phone (013) 673973
Litho in U.S.A. 1/83

INTERNATIONAL SALES OFFICES

Argentina

Coslin, S.A.
Virrey del Pino 4071
Buenos Aires, Argentina
Tel: 552-5248. TLX: 22284

Australia

Emeco Instruments Pty Ltd.
P.O. Box 30, Concord, N.S.W.
Australia 2137
Tel: (2) 736-2888. TLX: (790) 25887

Emeco Instruments Pty Ltd.
2123 Anthony Drive
Mt. Waverley, VIC 3149
Australia

Tel: 233-4044. TLX: (790) 36206

Emeco Instruments Pty Ltd.
Professional Suites Bldg
G.P.O. Box 2360
Brisbane, 4001, Australia
Tel: (07) 229-3161

Emeco Instruments Pty Ltd.
G.P.O. Box 1240, Adelaide
South Australia 5001
Tel: (08) 271-1839

Emeco Instruments Pty Ltd.
P.O. Box 55, Gosnell
West Australia 6110
Tel: (09) 299-3362

Austria

Walter Retsch
Elektronische Geräte GmbH & Co.
Vetrieß KG
Oberschlag 28
Vienna, Austria

Tel: (0222) 235555. TLX: 134759

Bangladesh

Motherland Corporation
24 Hathnola Rd., Tikatuli
Decca 3, Bangladesh
Tel: 257249 or 255776

Belgium

Fluke (Belgium) S.A./N.V.
6, Rue de Genève
1140 Brussels, Belgium
Tel: (2) 2164090. TLX: 26312

Bolivia

Coslin Bolivia S.R.L.
Casilla 7295, La Paz, Bolivia
Tel: 40962. TLX: 3233

Brazil

Fluke Brasil-Industria E
Comercio LTDA
Al. Amazonas 422
Aphaville, Baruen.
CEP 06400 Sao Paulo, Brazil
Tel: (011) 421-5477. TLX: 01135559

Fluke Brasil-Industria E
Comercio LTDA
Av. Henrique Valdeares, 23/401
Rio de Janeiro, Brazil
Tel: 252-1297

Brunel

Rank O'Connor's (PTE) Limited
No. 8, BK.D
Surfin Shop House Complex
Mise 1, Jelang Tulang
Bender Seri Begawan, Brunel
Tel: 26680

Bulgaria

Amtest Associates Ltd.
Clarence House, 31, Clarence St
Staines, Middlesex TW18 4SY
United Kingdom
Tel: (784) 63555. TLX: 928855

Canada

Allan Crawford Assoc. Ltd.
414 1905 30th Ave. N.E.
Calgary, Alberta T2E 6Z5
Tel: (403) 230-1341, TLX: 03-621186

Allan Crawford Assoc., Ltd.
P.O. Bag 3967
Postal Station "D"
Edmonton, Alberta T5L 4K1
Tel: (403) 451-4893

Allan Crawford Assoc., Ltd.
3795 William Street
Burnaby, British Columbia V5C 3H3
Tel: (604) 294-1326, TLX: 04-54247

Allan Crawford Assoc., Ltd.
891 Lady Ellen Place
Ottawa, Ontario K1Z 6L3
Tel: (613) 722-7882. TLX: 0533600

Allan Crawford Assoc., Ltd.
6503 Northam Drive
Mississauga, Ontario L4V 1J2
Tel: (416) 678-1500, TLX: 06968769

Allan Crawford Assoc., Ltd.
7918 cote de Liesse
St. Laurent, Quebec H4T 1E7
Tel: (514) 731-8664. TLX: 05824944

Chad

Fluke (Holland) B.V.
P.O. Box 5053, 5004 EB Tilburg
Zevenhuizenweg 53, 5048 AN Tilburg
The Netherlands
Tel: (013) 673973. TLX: 52237

Chile

Intronica Chile Ltda.
Manuel Montt 024 - Of. D
Casilla 16228, Santiago 9, Chile
Tel: 44940, TLX: 240301

Alin, Intronica Chile
China, People's Republic of
Fluke International Corporation
P.O. Box C9090
Everett, WA 98206, U.S.A.
Tel: (206) 356-5511

TLX: 152662 JOHN FLUKE EVT
Colombia
Sistemas E Instrumentacion, Ltda.
Carretera 13, No. 37-43, Of. 401
Ap. Aereo 29563
Bogota DE, Colombia SA
Tel: 232-45-32. TLX: 45787

Cyprus

Chris Radiovision Ltd.
P.O. Box 1969, Nicosia, Cyprus
Tel: 66121. TLX: 6262395

Czechoslovakia

Amtest Associates Ltd.
Clarence House, 31, Clarence St
Staines, Middlesex TW18 4SY
United Kingdom
Tel: (784) 63555. TLX: 928855

Denmark

Tage Olsen A/S
Ballerup Evej 222
DK - 2750 Ballerup, Denmark
Tel: (2) 058111. TLX: (855) 35293

Ecuador

Proteco Cosain Cia., Ltda.
Edificio "Jericó"
Ave. 12 de Octubre #2285 y
Auto Oretiana (Planta Baja)
Quito, Ecuador
Tel: 529684. TLX: (383) 2965

Proteco Cosain Cia., Ltda.
Calderon 103 y Malecon
Casilla #9733
Guayaquil, Ecuador
Tel: 526993

Egypt and Sudan

Electronic Engineering Liaison Office
P.O. Box 2891 Horreya
Heliopolis, Cairo, Egypt
Tel: 891598. TLX: (927) 92502

England

Fluke (Great Britain) LTD.
Colonial Way
Watford, Herts, WD2 4TT
United Kingdom
Tel: (0923) 40511, (651) 934583
Rapifax: (0923) 25087

Ethiopia

Fluke (Holland) B.V.
P.O. Box 5053, 5004 EB Tilburg
Zevenhuizenweg 53, 5048 AN Tilburg
The Netherlands
Tel: (013) 673973. TLX: 52237

Fiji

AWA Fiji
47 Forster Road, Wau Bay
Suva, Fiji
Tel: 312078. TLX: FJ2347

Finland

Oy Findip Ab, Teollisuusie 7
02700 Kauniainen, Finland
Puh. (0) 5052255. TLX: (857) 12129

France

M.B. Electronique S.A.
Rue Fourmy 806, 21 Centre
78520 BUC
B.P. No. 31
78530 BUC, France
Tel: (3) 9568131. TLX: (842) 095414

German Democratic Republic

Amtest Associates Ltd.
Clarence House, 31, Clarence St
Staines, Middlesex TW18 4SY
United Kingdom
Tel: (784) 63555. TLX: 928855

German Federal Republic

Fluke (Deutschland) GmbH
Max-Hueber StraÙe 6
8045 Ismaning, West Germany
Tel: (089) 96050, TLX: 522472
Rapifax: (089) 905165

Fluke (Deutschland) GmbH
Meineckestrasse 53
4000 Düsseldorf 30, West Germany
Tel: (0211) 450831. TLX: (841) 858576

Greece

Hellenic Scientific Representations Ltd.
11, Vrasside Street
Athens 512, Greece
Tel: (1) 711140. TLX: (863) 219330

Hong Kong

Schmidt & Co. (H.K.) Ltd.
28th Fl Wing on Centre
111 Connaught Road
Central Hong Kong
Tel: 5-455644
TLX: 74706

Hungary

Amtest Associates Ltd.
Clarence House, 31, Clarence St
Staines, Middlesex TW18 4SY
United Kingdom
Tel: (784) 63555. TLX: 928855

Iceland

Kristjan O. Skagfjord Ltd.
P.O. Box 906
Reykjavik, Iceland
Tel: 24120. TLX: 21133

India

Hindlron Services Pvt. Ltd.
69/A-L, Jyeghondas Marg
Bombay 400 006, India
Tel: 811316. TLX: 112326

Hindlron Services Pvt. Ltd.
8th Main Road
33/44-A Raj Mehl Vilas Extension
Bangalore 560 090, India
Tel: 331236. TLX: (631) 0645741

Hindlron Services Pvt. Ltd.
Shaniniketan, Office No 6
6th Floor, 6 Camac Street
Calcutta 700 017, India
Tel: 434032. 447541

Hindlron Services Pvt. Ltd.
204-206 Henkuri Tower
SE Nehru Place
New Delhi, 110019, India
Tel: 640380. TLX: (85) 314890

Hindlron Services Pvt. Ltd.
Srinath Complex, 5th Floor
1-58/1 to 1-58/11
Serajoni Devi Road
Secunderabad 500 003, India
Tel: 821117. TLX: (953) 0155 575

Indonesia

P.T. Dwi Tunggal Jaya Sakti
Kebayoran Baru
Jakarta Selatan, Indonesia
Tel: 716374. TLX: 45305

Iraq

Fluke (Holland) B.V.
P.O. Box 5053, 5004 EB Tilburg
Zevenhuizenweg 53, 5048 AN Tilburg
The Netherlands
Tel: (013) 673973. TLX: 52237

Ireland

Euro Electronics
32 Brews Hill
Nevon County Meath, Ireland
Tel: (45) 23577. TLX: (851) 3182

Israel

R.D.T. Electronics Engineering Ltd.
P.O. Box 75
46, Sokolov Street
Ramat Hasharon 47235, Israel
Tel: (3) 483216. TLX: (922) 32143

Italy

Sistrel S.p.A.
Via Petizze di Volpedo 59
20092 Cinisello Balsamo
Milan, Italy
Tel: (2) 6181893. TLX: (843) 334643

Japan

Sistrel S.p.A.
Via Giuseppe Armettoni No. 39
00143 Rome, Italy
Tel: (6) 5615561. TLX: (843) 66356

Japan Branch

Sumitomo Higashi
Shinbashi Bldg.
1-1-11 Hamamatsuchō
Minato-ku, Tokyo, Japan
Tel: (03) 434-0191. TLX: 2424331



John Fluke Mfg. Co., Inc. / PO Box C9090 / Everett, WA 98206 / (206) 356 5400

Litho in U.S.A. 1/83

Kenya ■
ADCOM Ltd.
P.O. Box 30070
Nairobi, Kenya, East Africa
Tel: 331955. TLX: 22639

Korea ■
Electro-Science Korea Co.
C.P.O. Box 8448
Room 403, Boondo Bldg,
56-12 Jangchung-Ika
Jung-ku
Seoul, Korea
Tel: 261-7702. TLX: K25381

Kuwait ■
Al-Bahar Int. Group
P.O. Box 26672 Salat
Kuwait, Arabian Gulf
Tel: 4501087. TLX: 44822

Lebanon and Jordan ■
Mabek (Electronic Division)
P.O. Box 11-3823
Barrut, Lebanon
Tel: 812523. TLX: (923) 22889

Libya ■
Fluke (Holland) B.V.
P.O. Box 5053, 5004 EB Tilburg
Zevenheuvelenweg 53, 5048 AN Tilburg
The Netherlands
Tel: (013) 673973. TLX: 52237

Malaysia ■
Mecomb Malaysia SDN BHD
Lot 2, Lorong 13/6A
Petaing Jaya, Malasia
Tel: 573455. TLX: MA37605

Mexico ■
Electronica y Tecnologia
Avanzada S.A. de C.V.
Pafnucio Padilla 53
Circuito Comercial Satelite
Naucaipan Edo. De Mexico
Tel: 393 0902
TLX: (363) 017 2697

Nepal ■
Associated Enterprises
GPO Box 790, Pysphal Tole
Kathmandu, Nepal
Tel: 13868

Netherlands ■
Fluke (Nederland) B.V.
Gasthuisweg 14
5041 DS Tilburg
The Netherlands
P.O. Box 115
5000 AC Tilburg
The Netherlands
Tel: (013) 352455. TLX: 52883

New Zealand ■
McLean Information Technology, Ltd.
P.O. Box 9464, Newmarket
Auckland 1, New Zealand
Tel: 501-801. TLX: (781) NZ 215 70
McLean Information Technology, Ltd.
P.O. Box 496
Wellington, New Zealand
Tel: 851-450 or 844-424

Nigeria ■
Mofat Engineering Co., Ltd.
P.O. Box 6369
Lagos, Nigeria
Tel: 960744. TLX: 21353

Norway ■
Morgensierne & Co A/S
Konghellegate 3
P.O. Box 6588, Rodelokka
Oslo 5, Norway
Tel: (2) 356110. TLX: (856) 71719

Oman ■
OHI Communications
P.O. Box 889
Muscat
Sultanate of Oman
Tel: 702666 or 703862
TLX: 3168

Pakistan ■
Pat International Operations
505 Muhammad House
11, Chundrigar Road
P.O. Box 5323, Karachi, Pakistan
Tel: 221127. TLX: (952) 24494

PDR Yemen ■
Fluke (Holland) B.V.
P.O. Box 5053, 5004 EB Tilburg
Zevenheuvelenweg 53, 5048 AN Tilburg
The Netherlands
Tel: (013) 673973. TLX: 52237

Peru ■
Importaciones Y Representaciones
Electronicas S.A.
Avda. Franklin D. Roosevelt 105
Lima 1, Peru
Tel: 289550. TLX: (394) 25663

Philippines ■
Spark Radio & Electronics, Corp.
1044 Ongpin St. Sta. Cruz
Manila, Philippines
Tel: 47-11-94. TLX: 27901
Spark Radio & Electronics Corp
Greenhills P.O. Box 810
San Juan, Metro-Manila
Philippines Zip 3113
Tel: 77-51-82

Poland ■
Amtest Associates Ltd.
Clarence House, 31, Clarence St
Staines, Middlesex TW16 4SY
United Kingdom
Tel: (784) 63555. TLX: 928855

Portugal ■
Decada-Equipamentos de
Electronica, Lda.
Rua Pedro Nunes, 47-C
1000 Lisboa, Portugal
P.O. Box 1128, 1003 Lisboa Codex
Tel: (19) 574964. TLX: (832) 19459

Qatar ■
Technology Organisation
P.O. Box 5549, Doha, Qatar
Tel: 321431. TLX: (957) 4581

Romania ■
Amtest Associates Ltd
Clarence House, 31, Clarence St
Staines, Middlesex TW16 4SY
United Kingdom
Tel: (784) 63555. TLX: 928855

Saudi Arabia ■
Electronic Equipment Marketing Co.
P.O. Box 3750
Riyadh, Saudi Arabia
Tel: (1) 477-165001
TLX: (928) 201120

Singapore ■
Rank O'Connor's (PTE) Limited
98 Pasir Panjang Road
Singapore 0511
Republic of Singapore
Tel: 637944
TLX: RS21023

Somalia ■
Fluke (Holland) B.V.
P.O. Box 5053, 5004 EB Tilburg
Zevenheuvelenweg 53, 5048 AN Tilburg
The Netherlands
Tel: (013) 673973. TLX: 52237

South Africa ■
Fluke S.A. (Pty) Ltd
P.O. Box 39797, Bramley 2018
Republic of South Africa
Tel: (011) 786-3170. TLX: 424328

Spain ■
Hispano Electronics S.A.
Poligono Industrial Urtima
Apartado de Correos 48
Alcorcon (Madrid), Spain
Tel: (1) 6194108
TLX: (831) 22404

Sri Lanka ■
Jey-Es Electronics
160 Poonawarna Mawatha
Colombo 5, Sri Lanka
Tel: 073-2393

Sweden ■
Teleinstrument AB
P.O. Box 4490
162 04 Vallingby, Sweden
Tel: (8) 380370. TLX: (654) 15770

Switzerland ■
Traco Electronic AG
Jenatschstrasse 1
6002 Zurich, Switzerland
Tel: (1) 2010711. TLX: (645) 54318

Syria ■
Mabek (Electronic Division)
P.O. Box 4238
Damascus, Syria

Taiwan ■
Schmidt Scientific Far East Ltd.
906, Chia Hsin Bldg,
96, Chung Shan N. Rd., Sec 2
Taipei, Taiwan
Tel: 414600. TLX: 11111

Thailand ■
Measuretronix Ltd.
1899-10 Ramkhamng Rd.
Huamark, Bangkok 24, Thailand
Tel: 3143369. TLX: 81143

Tunisia ■
Satep S.A.R.L.
6, Rue de Sparte
Tunis - 1000 RP, Tunisia
Tel: (1) 248093. TLX: (934) 13030

Turkey ■
Erkman Elektronik Aletler
Ticaret Anonim Sirketi
Necatbey Cad 9/2
Karakoy, Istanbul, Turkey
Tel: 441546
TLX: (821) 23353

United Arab Emirates ■
Al Sanani Trid
P.O. Box 7187
Abu-Dhabi, United Arab Emirates

United Kingdom ■
Tel: 821370 or 821371
TLX: 23966

United Kingdom ■
Fluke (Great Britain) Ltd.
Colonial Way
Walford, Herts, WD2 4TT

United Kingdom ■
Tel: (0923) 40511. TLX: 934563
Rapilac: (0823) 25067

Uruguay ■
Cosain Uruguaya S.A.
Casilla de Correos 1400
Libertad 2520
Montevideo, Uruguay
Tel: 78-90-18. TLX: UY6571

U.S.S.R. ■
Amtest Associates Ltd.
Clarence House, 31, Clarence St
Staines, Middlesex TW16 4SY
United Kingdom
Tel: (784) 63555. TLX: 928855

Venezuela ■
Cosain, C.A.
Calle 9 Con Calle 4, Edif. Edmurti
Apartado De Correos
NR-70.136 Los Rucios
Caracas 1070A, Venezuela
Tel: 239-0967. TLX: (395) 21027

Yemen ■
Fluke (Holland) B.V.
P.O. Box 5053, 5004 EB Tilburg
Zevenheuvelenweg 53, 5048 AN Tilburg
The Netherlands
Tel: (013) 673973. TLX: 52237

Yugoslavia ■
Amtest Associates Ltd.
Clarence House, 31, Clarence St
Staines, Middlesex TW16 4SY
United Kingdom
Tel: (784) 63555. TLX: 928855

■ **Supplied and Supported by** —
Fluke (Holland) B.V.
P.O. Box 5053, 5004 EB Tilburg
Zevenheuvelenweg 53, 5048 AN Tilburg
The Netherlands
Tel: (013) 673973. TLX: 52237

● **Supplied and Supported by** —
Fluke International Corporation
P.O. Box C0990
Everett, WA 98206 U.S.A.
Tel: (206) 356-5500
TLX: 152662 JOHN FLUKE EVT

FLUKE®

TECHNICAL SERVICE CENTERS

U.S.A.

CA, Burbank

John Fluke Mfg. Co., Inc.
Tel: (213) 849-4841

CA, Santa Clara

John Fluke Mfg. Co., Inc.
Tel: (408) 727-8121

CO, Denver

John Fluke Mfg. Co., Inc.
Tel: (303) 750-1225

FL, Orlando

John Fluke Mfg. Co., Inc.
Tel: (305) 896-2296

IL, Rolling Meadows

John Fluke Mfg. Co., Inc.
Tel: (312) 398-5900

MA, Burlington

John Fluke Mfg. Co., Inc.
Tel: (617) 273-4878

MD, Rockville

John Fluke Mfg. Co., Inc.
Tel: (301) 770-1576

NJ, Paramus

John Fluke Mfg. Co., Inc.
Tel: (201) 262-9550

TX, Dallas

John Fluke Mfg. Co., Inc.
Tel: (214) 233-6545

WA, Everett

John Fluke Mfg. Co., Inc.
Tel: (206) 356-5660

Other Countries

Argentina, Buenos Aires

Cossin S.A.
Tel: 552-5248/3485
TLX: 122284 COASN AR

Australia, Concord

Eimeasco Instruments Pty Ltd.
Tel: (02) 736-2888
TLX: (790) 25887

Australia, Mount Waverley

Eimeasco Instruments Pty Ltd.
Tel: 03-233-4044
TLX: 36206

Australia, Brisbane

Eimeasco Instruments Pty Ltd.
Tel: (07) 229-3181

Austria, Vienna

Walter Reikirsch Electronische Gerate GmbH & Co.
Tel: (0222) 235555
TLX: 134759

Belgium, Brussels

Fluke (Belgium) S.A./N.A.
Tel: (02) 2164090
TLX: 26312

Brazil, Sao Paulo

Fluke Brasil-Industria E Comercio Ltda.
Tel: (011) 421-3803
TLX: 01135569 FLKE BR

Canada, Calgary, AB

Allan Crawford Associates Ltd.
Tel: (403) 230-1341

Canada, Burnaby, BC

Allan Crawford Associates Ltd.
Tel: (604) 294-1326

Canada, Mississauga, ON

Allan Crawford Associates Ltd.
Tel: (416) 678-1500

Canada, St. Laurent, PQ

Allan Crawford Associates Ltd.
Tel: (514) 731-8564

Chile, Santiago

Intronica Chile Ltda.
Tel: 44840
TLX: 240301

China, Beijing

Beijing Radio Research Institute
Tel: 445612

Colombia, Bogota

Sistemas E Instrumentacion, Ltda.
Tel: 232-45-32
TLX: 45787 COASN CO

Denmark, Ballerup

Tage Olsen A/S
Tel: (02) 650111
TLX: 35293 TOAS SK

Ecuador, Quito

Edificio "Jerico"
Tel: 529684, 526759
TLX: 2865 Protec Ed

Egypt, Cairo

Electronic Engineering Liaison Office
Tel: 691588
TLX: (927) 92502

England, Watford, Herts

Fluke (Great Britain) LTD
Tel: 44-923-40511
TLX: 934583

Finland, Kaunialmen

Oy Findip AB
Tel: (0) 9052255
TLX: 123129

France, BUC

M.B. Electronique S.A.
Tel: (01) 9566131
TLX: 695414

Greece, Athens

Hellenic Scientific Representations
Tel: (01) 711140
TLX: 219330

Hong Kong, Hong Kong

Schmidt & Co. (H.K.) Ltd.
Tel: 5-455644
TLX: 74786 SCHMC HK

India, Bombay

Hinditron Services Pvt. Ltd.
Tel: 611316, 615344
TLX: 953-112328 HSPL IN

India, Bangalore

Hinditron Services Pvt. Ltd.
Tel: 33129
TLX: 0645741

India, New Delhi

Hinditron Services Pvt. Ltd.
Tel: 619116
TLX: 031 4690 SRMP IN

Indonesia, Jakarta Selatan

P.T. Dewi Tunggal Jaya Sakti
Tel: 716374
TLX: 47308 DIJS IA

Israel, Ramat Hasharon

R.D.T. Electronics Engineering Ltd.
Tel: (03) 463216
TLX: 32143

Italy, Milan

Sistrel S.p.A.
Tel: (02) 6181893
TLX: 334643

Italy, Rome

Sistrel S.p.A.
Tel: (06) 5915651
TLX: 68356

Japan, Tokyo

John Fluke Mfg. Co., Inc.
Japan Branch
Tel: (03) 434-0181
TLX: (761) 2424331 (FLUK,JP)

Korea, Seoul

Electro-Science Korea Co.
Tel: 261-7702, 260-1908
TLX: K25381

Malaysia, Petaling Jaya

McComb Malaysia SDN BHD
Tel: 573455
TLX: MA37605

Mexico, Mexico D.F.

Electronica y Tecnologia
Avanzada S.A. de C.V. (ETA)
Tel: 383 69 05 or 383 57 62
TLX: 0172887 BLOSMEX

Netherlands, Maastricht

Fluke (Nederland) B.V.
Tel: (020) 436514
TLX: 47128

Netherlands, Tilburg

Fluke (Holland) B.V.
Tel: (013) 673873
TLX: 92237

New Zealand, Auckland

McLean Information Technology, Ltd.
Tel: 501-601, 501-218, 587-037
TLX: NZ21570 THERMAL

Norway, Oslo

Morgenslettens & Co A/S
Tel: (02) 356110
TLX: 71719

Pakistan, Karachi

Pak International Operations
Tel: 221127, 239052
TLX: 24494 PIO PK

Peru, Lima

Importaciones Y Representaciones
Electronicas S.A.
Tel: 288650
TLX: 37425663

Philippines, Metro Manila

Spark Radio & Electronics Corp.
Tel: 78-78-18
TLX: 27901 RLA PH

Portugal, Lisboa

Decada-Equipamentos de
Electronica, Lda.
Tel: (19) 574094
TLX: 18489

Republic of Singapore, Singapore

Rank O'Connor's (PTE) Limited
Tel: 637844, 239052
TLX: OCONSIN RS21023

Republic of South Africa, Bramley

Fluke S.A. (Pty) Ltd.
Tel: (011) 766-3170
TLX: 424326

Spain, Alcorcon (Madrid)

Hispano Electronics S.A.
Tel: (01) 6194108
TLX: 22404/42634

Sweden, Vallingby

Telemesurment AB
Tel: (08) 380370
TLX: 15770

Switzerland, Zurich

Treco Electronic AG
Tel: (01) 2010711
TLX: 54318

Taiwan, Taipei

Schmudi Scientific Far East Ltd.
Tel: 5414800
TLX: 11111 Schmidt

Thailand, Bangkok

Measuretronik Ltd.
Tel: 3143966, 3143430
TLX: 81143 DEJOBKK TH

Turkey, Istanbul

Erkman Elektronik Aletler
Tel: (01) 5461
TLX: 23553

Uruguay, Montevideo

Cossin Uruguaya S.R.L.
Tel: 29-31-852
TLX: UV 6571 OROCUER

Venezuela, Caracas

Cossin, C.A.
Tel: 36-78-42, 36-78-86
TLX: 21027 EMVEN VE

West Germany, Ismaning

Fluke (Deutschland) GmbH
Tel: (089) 96050
TLX: 0522472



John Fluke Mfg. Co., Inc., P.O. Box C9090, Everett, WA 98206
Fluke (Holland) B.V., P.O. Box 5053, 5004 EB, Tilburg, The Netherlands. Phone (013) 673973
Litho in U.S.A. 1/83